

TOOLING COMPONENTS



Clamping Kits	2-5
Step Blocks & Kits	6-7
Driver Studs.....	8-12
Bolts, Screws	13-19
Nuts, Washers	20-29
Clamps	30-43
Swivel Screw Clamps	44-46
Screws.....	47-48
Hand Knobs	49
Rest Pads.....	50-51
Index Plungers & Bushings.....	52-56
Jig Feet, Rest Buttons	57-58
Fixture Keys.....	59-60
Leveling Pads and Mounts	60-62
Ball Bearing Parallels	63
Thread Repair Inserts.....	64-68
Collet Stops	69

TOOLING COMPONENTS



Super Clamp Kits



See individual components for material information.

Kit Contains:

- 6 Step Blocks
- 6 Serrated End Clamps
- 4 Coupling Nuts
- 4 Flange Nuts
- 4 T-Slot Nuts
- 1 T-Slot Cleaner
- 1 Holder (wooden base, metal tray)
- Bridgeport type milling machines use Part Nos. 20206, 20212, 20306 and 20312.

Metric Kits

Part No.	Table T-Slot Size	Stud Size	Weight (lbs/kit)
WITH 25MM THICK STEP BLOCKS			
68101	10MM	M8 x 1.25	18
68102	12MM	M10 x 1.5	18
68103	14MM	M10 x 1.5	18
68104	14MM	M12 x 1.75	23
68105	16MM	M12 x 1.75	23
68106	17MM	M12 x 1.75	24
68107	18MM	M16 x 2.0	28.3
68108	20MM	M16 x 2.0	28.3
WITH 38MM THICK STEP BLOCKS			
68110	14MM	M12 x 1.75	30
68111	16MM	M12 x 1.75	30
68112	17MM	M12 x 1.75	30
68113	18MM	M16 x 2.0	44.3
68114	20MM	M16 x 2.0	44.3
68115	22MM	M20 x 2.5	58

- 24 Studs – 4 each of:

– **English Kits:**
3", 4", 5", 6", 7" and 8" long.

– **Metric Kits:**
Kit No. 68101: 80mm, 110mm, 125mm, 150mm, 175mm and 200mm long.

Kit No. 68102-06 & 68110-12:
80mm, 110mm, 140mm, 150mm, 175mm and 200mm long.

Kit No. 68107-08 & 68113-15:
80mm, 110mm, 150mm, 175mm, 200mm and 250mm long.

English Kits

Steel Step Block Part No.	Wt. (lbs/kit)	Table T-Slot Size	Stud Size
WITH 1" THICK STEP BLOCKS			
20201	18	3/8	5/16-18
20202	18	7/16	3/8-16
20203	18	1/2	3/8-16
20204	18	9/16	3/8-16
20205	23	9/16	1/2-13
20206	23	5/8	1/2-13
20207	24	11/16	1/2-13
20208	28.3	11/16	5/8-11
20209	28.3	3/4	5/8-11
20210	28.3	13/16	5/8-11
WITH 1-1/2" THICK STEP BLOCKS			
20211	30	9/16	1/2-13
20212	30	5/8	1/2-13
20213	30	11/16	1/2-13
20214	44.3	11/16	5/8-11
20215	44.3	3/4	5/8-11
20216	44.3	13/16	5/8-11
20217	58	13/16	3/4-10
20218	58	7/8	3/4-10
20219	58	1	3/4-10
20222	59	1-1/16	3/4-10
WITH 2" THICK STEP BLOCKS			
20220*	90	1	7/8-9
20221*	99	1-1/16	1-8

* Kits shipped in all wooden holders

English Kit is included in the Expanded Clamp Kit (Part Nos. 21502-21510 – see page 4)

View contents of kits at www.te-co.com

Punch Press Kits

See individual components for material information.

Kit Contains:

- 4 Coupling Nuts
- 8 Flange Nuts
- 4 Step Clamps
- 24 Studs - 4 each of 3", 4", 5", 6", 7" and 8" long.
- 1 Holder



Punch Press Kit shown with clamps (optional).

With Clamps

Part No.	Stud Size	Clamps 4 Each	Weight (lbs/kit)
20701	3/8-16	30801	12
20702	1/2-13	30802	16
20703	5/8-11	30803	21
20704	3/4-10	30804	28

Without Clamps

Part No.	Stud Size	Weight (lbs/kit)
20710	3/8-16	9.5
20711	1/2-13	13
20712	5/8-11	17
20713	3/4-10	22.75
20715	7/8-9	30
20716	1-8	39

T-Nut & Stud Kits

See individual components for material information.

Kit Contains:

- 4 Flange Nuts
- 4 T-Slot Nuts
- 1 T-Slot Cleaner
- 24 Studs – 4 each of
 - English Kits: 3", 4", 5", 6", 7" and 8" long.
 - Metric Kits:
 - Kit No. 68201-06: 80mm, 110mm, 140mm, 150mm, 175mm and 200mm long.
 - Kit No. 58207-09: 80mm, 110mm, 150mm, 175mm, 200mm and 250mm long.
- 1 Holder (wooden base, metal tray)
- Bridgeport type milling machines use Part No. 20606.
- English Kit is included in the Milling Machine Clamp Kit (see below).



Versatility is expanded when used with Step Block & Clamp Kit (see page 6).



English Kits

Part No.	Table T-Slot Size	Stud Size	Weight (lbs/kit)
20601	3/8	5/16-18	8
20602	7/16	3/8-16	8
20603	1/2	3/8-16	8
20604	9/16	3/8-16	8
20605	9/16	1/2-13	12
20606	5/8	1/2-13	12
20607	11/16	1/2-13	13
20608	11/16	5/8-11	16.3
20609	3/4	5/8-11	16.3
20610	13/16	5/8-11	16.3
20611	13/16	3/4-10	24
20612	7/8	3/4-10	24
20613	1	3/4-10	24
20618	1-1/16	3/4-10	25
20614	1	7/8-9	30
20615	1-1/16	7/8-9	30
20616	1-1/8	7/8-9	30
20617	1-1/16	1-8	39

Metric Kits

Part No.	Table T-Slot Size	Stud Size	Weight (lbs/kit)
68201	10MM	M8 x 1.25	8
68202	12MM	M10 x 1.5	8
68203	14MM	M10 x 1.5	8
68204	14MM	M12 x 1.75	12
68205	16MM	M12 x 1.75	12
68206	17MM	M12 x 1.75	13
68207	18MM	M16 x 2.0	16.3
68208	20MM	M16 x 2.0	16.3
68209	22MM	M20 x 2.5	24

View contents of kits at www.te-co.com

Milling Machine Clamp Kits

See individual components for material information.

Kit Contains:

- 4 Soft Clamps – 6" long
- 4 Coupling Nuts
- 4 Flange Nuts
- 4 T-Slot Nuts
- 1 T-Slot Cleaner
- 24 Studs with flats – 4 each of
 - 3", 4", 5", 6", 7" and 8" long
- 1 Holder (wooden base, metal tray)
- Bridgeport type milling machines use Part No. 20506



Part No.	Table T-Slot Size	Stud Size	Clamps 6" Long 4 Each	Weight (lbs/kit)
20501	3/8	5/16-18	30701	12
20502	7/16	3/8-16	30701	14
20503	1/2	3/8-16	30701	14
20504	9/16	3/8-16	30701	14
20505	9/16	1/2-13	30702	19
20506	5/8	1/2-13	30702	19
20507	11/16	1/2-13	30702	19
20508	11/16	5/8-11	30703	25
20509	3/4	5/8-11	30703	25
20510	13/16	5/8-11	30703	25
20511	13/16	3/4-10	30704	30
20512	7/8	3/4-10	30704	30
20513	1	3/4-10	30704	30

Versatility is expanded when used with Step Block Kit (see page 6).

TOOLING COMPONENTS



Machinist Clamp Kits

52-piece Kit Contains:

- 4 Coupling Nuts
- 6 Flange Nuts
- 6 T-Slot Nuts
- 1 T-Slot Cleaner
- 24 Studs – 4 each of:
 - English Kits: 3", 4", 5", 6", 7" and 8" long.
 - Metric Kits: 80mm, 110mm, 125mm, 150mm, 175mm and 200mm long.
- 6 Step Blocks
- 6 Serrated End Clamps
- 1 Holder
- Bridgeport type milling machines use Part No. 20402

See individual components for material information.



Metric Kits

Part No.	Wt. (lbs/kit)	Table T-Slot Size	Stud Size
WITH 25MM THICK STEP BLOCKS			
68001	18.5	12MM	M10 x 1.5
68002	18.5	14MM	M10 x 1.5
68003	24	14MM	M12 x 1.75
68004	24	16MM	M12 x 1.75
68005	24	17MM	M12 x 1.75
68006	29	18MM	M16 x 2.0
68007	29	20MM	M16 x 2.0

English Kits

Part No.	Wt. (lbs/kit)	Table T-Slot Size	Stud Size
WITH 1" THICK STEP BLOCKS			
20412	18.5	7/16	3/8-16
20413	18.5	1/2	3/8-16
20414	18.5	9/16	3/8-16
20401	24	9/16	1/2-13
20402*	24	5/8	1/2-13
20403	24	11/16	1/2-13
20404**	24	5/8	1/2-13
20415	29	11/16	5/8-11
20416	29	3/4	5/8-11
20417	29	13/16	5/8-11

*Comes with t-nut part #41410 (pg. 21)

**Comes with t-nut part #41411 (pg. 21)

View contents of kits at www.te-co.com

Expanded Clamp Kits



Kit Contains:

- 4 Soft Clamps
- 4 Step Clamps
- 6 Plain Clamps
- 4 Coupling Nuts
- 4 Flange Nuts
- 4 T-Slot Nuts
- 1 T-Slot Cleaner
- 6 Step Blocks
- 6 Serrated End Clamps
- 24 Studs with flats – 4 each of 3", 4", 5", 6", 7" and 8" long.
- 1 holder (wood base w/2 metal holders)

See individual components for material information.

Part No.	Table T-Slot Size	Stud Size	Soft Clamps 4 Each	Step Clamps 4 Each	Plain Clamps 2 each	Wt. (lbs/kit)
21502	7/16	3/8-16	30701	30801	30401 30402 30403	32
21503	1/2	3/8-16	30701	30801	30401 30402 30403	32
21504	9/16	3/8-16	30701	30801	30401 30402 30403	32
21505	9/16	1/2-13	30702	30802	30404 30405 30406	38
21506	5/8	1/2-13	30702	30802	30404 30405 30406	38
21507	11/16	1/2-13	30702	30802	30404 30405 30406	38
21508	11/16	5/8-11	30703	30803	30407 30408 30409	48
21509	3/4	5/8-11	30703	30803	30407 30408 30409	48
21510	13/16	5/8-11	30703	30803	30407 30408 30409	48



TOOLING COMPONENTS

Basic Clamp Kits

See individual components for material information.

Kit Contains:

- 14 Clamps
- Holder (metal tray)



Versatility is expanded when used with the T-Nut & Stud Kit (see page 3).

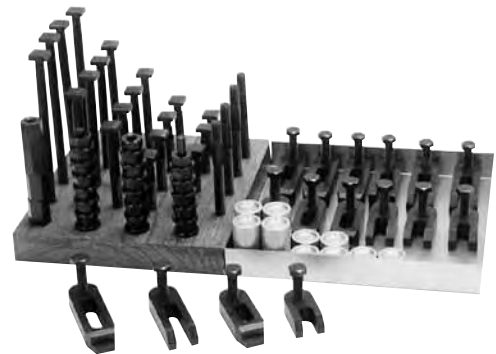
Part No.	Serrated End Clamps 2 Each	Plain Clamps 2 Each	Step Clamps 2 Each	Stud Size	Wt. (lbs/kit)
20901	30501	30401	30801	3/8-16	11
	30502	30402			
	30503	30403			
20902	30504	30404	30802	1/2-13	13
	30505	30405			
	30506	30406			
20903	30507	30407	30803	5/8-11	15
	30508	30408			
	30509	30409			

View contents of kits at www.te-co.com

Jig Bore Kit

See individual components for material information.

- For jig borers and jig grinders
- Will clamp anything within the range of the machine
- Aluminum heel rests prevent marring of the table top surface
- Hex bolts in clamps and coupling nuts allow adjustment of height within the range of the machine
- Clamps, t-bolts, studs, coupling nuts and flange nuts have a black oxide finish
- Includes holder (wooden base, metal tray)
- For detailed information on the aluminum heel rest and hex bolt, see page 7.
- For detailed clamp information, see page 8.



Part No.	Stud Size	Stud 4 Each	Coupling Nut 4 Each	"U" Clamp 4 Each	Single Toe Clamp 4 Each	Hex Bolt 4 Each	T-Bolt 4 Each	Flange Nut 20 Each	Heel Rest 4 Each
21401	3/8-16	40520	41503	30001 30002	30820 30821	45101	46215, 46216 46216, 46217 46218, 46219	41603	40215 40216 40217

Visit us online at www.te-co.com

Easy to navigate product pages • Request quotes online
Get current list prices quickly • TE-CO representative locator
Search function with competitor conversion capability

Step Block Kits

Kit Contains:

- 10 Step Blocks
- 1 Holder
- Blocks work in conjunction with Serrated End Clamps (see page 37)
- **Two halves = One Block**



Versatility is expanded when used with the T-Nut & Stud Kit (see page 3).

English

Part No.	4 Each	4 Each	2 Each	Weight (lbs/kit)
20801	40102	40103	40104	8
20805	40105	40106	40107	33
20807	40108	40109	40110	40

Metric

Part No.	4 Each	4 Each	2 Each	Weight (lbs/kit)
20801M	40102M	40103M	40104M	8
20805M	40105M	40106M	40107M	33
20807M	40108M	40109M	40110M	40

View contents of kits at www.te-co.com

Step Block & Clamp Kits

See individual components for material information.

Kit Contains:

- 6 Step Blocks
- 6 Serrated End Clamps
- 1 Holder



Versatility is expanded when used with the T-Nut & Stud Kit (Part No.'s 20601-18, 68202-09, see page 3).



English

Steel Step Block Part No.	Wt. (lbs/kit)	Step Blocks 2 Each	Stud Size	Serrated End Clamps 2 Each
WITH 1" THICK STEP BLOCKS				
21001	10	40102	5/16 or 3/8	30501
		40103		30502
		40104		30503
21002	11	40102	1/2	30504
		40103		30505
		40104		30506
21003	12	40102	5/8	30507
		40103		30508
		40104		30509
WITH 1-1/2" THICK STEP BLOCKS				
21004	27	40105	1/2	30504
		40106		30505
		40107		30506
21005	28	40105	5/8	30507
		40106		30508
		40107		30509
21006	34	40105	3/4	30510
		40106		30511
		40107		30512
WITH 2" THICK STEP BLOCKS				
*21007	60	40108	7/8 or 1	30513
		40109		30514
		40110		30515

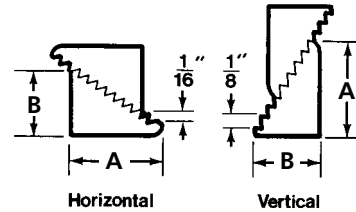
*Kits furnished with flatboard holder

Metric

Steel Step Block Part No.	Wt. (lbs/kit)	Step Blocks 2 Each	Stud Size	Serrated End Clamps 2 Each
WITH 25MM THICK STEP BLOCKS				
21001M	10	40102M	M10 x 1.5	30501M
		40103M		30502M
		40104M		30503M
21002M	11	40102M	M12 x 1.75	30504M
		40103M		30505M
		40104M		30506M
21003M	12	40102M	M16 x 2.0	30507M
		40103M		30508M
		40104M		30509M
WITH 38MM THICK STEP BLOCKS				
21004M	27	40105M	M12 x 1.75	30504M
		40106M		30505M
		40107M		30506M
21005M	28	40105M	M16 x 2.0	30507M
		40106M		30508M
		40107M		30509M
21006M	34	40105M	M20 x 2.5	30510M
		40106M		30511M
		40107M		30512M

Step Blocks

- Larger sizes have chamfered holes for ease of use
- Blocks work in conjunction with Serrated End clamps (see page 36)
- **Two halves = One Block**



Metric

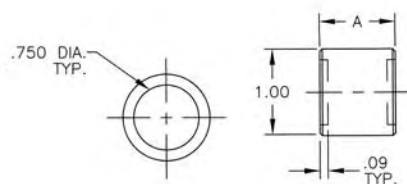
Steel Part No.	Wt. (lbs/100 pcs.)	Height Adj. Range	A	B
WITH 25MM THICK STEP BLOCKS				
40102M	21	19MM to 41MM	1-1/16	11/16
40103M	49	29MM to 64MM	1-39/64	1-1/16
40104M	203	64MM to 152MM	3-3/4	2-15/32
WITH 38MM THICK STEP BLOCKS				
40105M	174	45MM to 102MM	2-17/32	1-43/64
40106M	305	64MM to 152MM	3-3/4	2-15/32
40107M	506	89MM to 229MM	5-21/64	3-7/16
WITH 51 MM THICK STEP BLOCKS				
40108M	230	45MM to 102MM	2-17/32	1-43/64
40109M	400	64MM to 152MM	3-3/4	2-15/32
40110M	670	89MM to 229MM	5-21/64	3-7/16

English

*Indicates chamfered holes

Steel Part No.	Wt. (lbs/100 pcs.)	Height Adj. Range	A	B
WITH 1" THICK STEP BLOCKS				
40102	21	3/4 to 1-5/8	1-1/16	11/16
40103	49	1-1/8 to 2-1/2	1-39/64	1-1/16
40104*	203	2-1/2 to 6	3-3/4	2-15/32
WITH 1-1/2" THICK STEP BLOCKS				
40105	174	1-3/4 to 4	2-17/32	1-43/64
40106*	305	2-1/2 to 6	3-3/4	2-15/32
40107*	506	3-1/2 to 9	5-21/64	3-7/16
WITH 2" THICK STEP BLOCKS				
40108	230	1-3/4 to 4	2-17/32	1-43/64
40109*	400	2-1/2 to 6	3-3/4	2-15/32
40110*	670	3-1/2 to 9	5-21/64	3-7/16
40111	2115	4-7/8 to 10-1/2	7-3/8	4-3/4

Aluminum Heel Rest

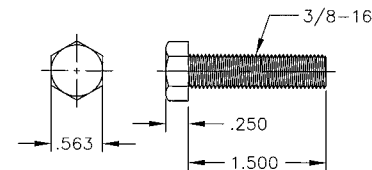


- Heel Rests prevent marring of the table top surface
- Material: Aluminum

Part No.	Stud Size
40215	0.375
40216	0.875
40217	1.875

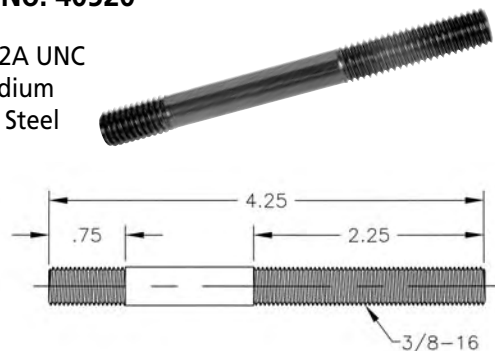
Hex Bolt Part No. 45101

Black Oxide Finish

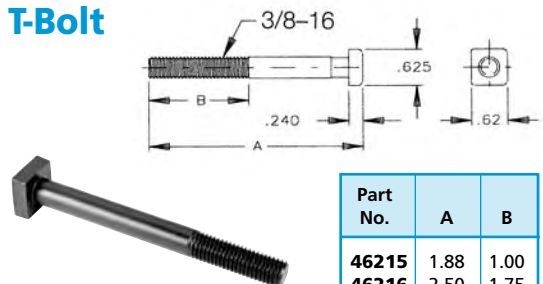


Stud Part No. 40520

- Thread Class 2A UNC
- Material: Medium Carbon Alloy Steel
- Black Oxide Finish, Heat Treated



T-Bolt

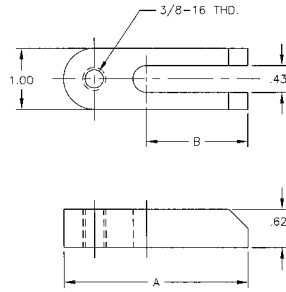


- Black Oxide Finish
- Material: 1045 Steel

Part No.	A	B
46215	1.88	1.00
46216	2.50	1.75
46217	3.50	1.75
46218	4.50	1.75
46219	6.00	1.75

"U" Clamp

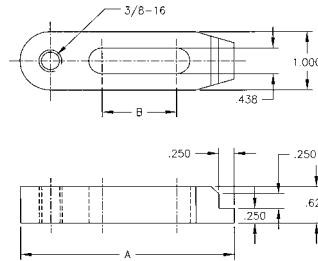
- Included in jig bore kit (page 5)
- Material 1018 Steel
- Black Oxide Finish
- Case Hardened



Part No.	A	B
30001	2.00	0.656
30002	3.00	1.656

Single Toe Clamp

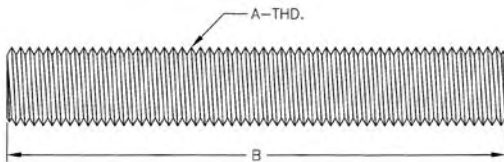
- Included in jig bore kit (page 5)
- Material 1018 Steel
- Black Oxide Finish
- Case Hardened



Part No.	A	B
30820	2.75	0.688
30821	3.50	1.438

Threaded Rod

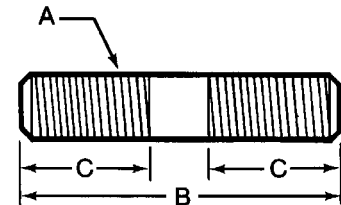
- Black Oxide Finish
- Medium Carbon Steel



Part No.	A	B
45170	1/4-20	1 ft.
45171	5/16-18	1 ft.
45172	3/8-16	1 ft.
45173	1/2-13	1 ft.
45174	5/8-11	1 ft.
45175	3/4-10	1 ft.
45176	7/8-9	1 ft.
45177	1-8	1 ft.
45160	1/4-20	3 ft.
45161	5/16-18	3 ft.
45162	3/8-16	3 ft.
45163	1/2-13	3 ft.
45164	5/8-11	3 ft.
45165	3/4-10	3 ft.
45166	7/8-9	3 ft.
45167	1-8	3 ft.
45150	1/4-20	6 ft.
45151	5/16-18	6 ft.
45152	3/8-16	6 ft.
45153	1/2-13	6 ft.
45154	5/8-11	6 ft.
45155	3/4-10	6 ft.
45156	7/8-9	6 ft.
45157	1-8	6 ft.

Stainless Steel Driver Studs

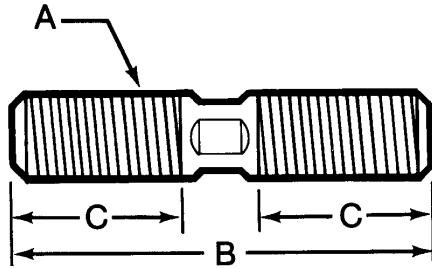
- Material: 303 Series Stainless Steel
- Rolled Threads



Part No.	Thread A	B	C
40374	1/4-20	3.00	1.00
40376	1/4-20	4.00	1.00
40378	1/4-20	5.00	1.00
40474	5/16-18	3.00	1.00
40476	5/16-18	4.00	1.13
40574	3/8-16	3.00	1.13
40576	3/8-16	4.00	1.25
40578	3/8-16	5.00	1.25
40580	3/8-16	6.00	1.25
40584	3/8-16	8.00	1.25
40785	1/2-13	4.00	1.50
40787	1/2-13	5.00	1.50
40789	1/2-13	6.00	1.50
40793	1/2-13	8.00	1.50
40876	5/8-11	4.00	1.75
40878	5/8-11	5.00	1.75
40880	5/8-11	6.00	1.75
40884	5/8-11	8.00	1.75
40971	3/4-10	3.00	1.25
40973	3/4-10	4.00	1.75
40977	3/4-10	6.00	2.00
40981	3/4-10	8.00	2.00
40983	3/4-10	10.00	2.00

Driver Studs

- Black Oxide Finish
- Tensile Strength: 125,000 p.s.i. min
- Medium Carbon Steel
- Most studs have wrench flats
- Special lengths and sizes quoted upon request



Part No.	Thread A	B	C	Flats	Weight (lbs/100pcs)
40301	1/4-20	1-1/2	1/2	NO	2
40302	1/4-20	2	3/4	NO	3
40303	1/4-20	2-1/2	1	NO	3
40304	1/4-20	3	1	NO	4
40305	1/4-20	3-1/2	1	NO	4
40306	1/4-20	4	1	NO	5
40307	1/4-20	4-1/2	1	NO	6
40308	1/4-20	5	1	NO	6
40309	1/4-20	5-1/2	1	NO	7
40310	1/4-20	6	1	NO	8
40311	1/4-20	6-1/2	1	NO	8
40312	1/4-20	7	1	NO	9
40313	1/4-20	7-1/2	1	NO	9
40314	1/4-20	8	1	NO	10
40401	5/16-18	1-1/2	1/2	NO	3
40402	5/16-18	2	3/4	NO	4
40403	5/16-18	2-1/2	1	NO	5
40404	5/16-18	3	1-1/8	NO	6
40405	5/16-18	3-1/2	1-1/8	NO	7
40406	5/16-18	4	1-1/8	NO	8
40407	5/16-18	4-1/2	1-1/8	NO	9
40408	5/16-18	5	1-1/8	NO	10
40409	5/16-18	5-1/2	1-1/8	NO	11
40410	5/16-18	6	1-1/8	NO	12
40411	5/16-18	6-1/2	1-1/8	NO	13
40412	5/16-18	7	1-1/8	NO	14
40413	5/16-18	7-1/2	1-1/8	NO	16
40414	5/16-18	8	1-1/8	NO	16
40501	3/8-16	1-1/2	1/2	NO	4
40502	3/8-16	2	3/4	NO	6
40503	3/8-16	2-1/2	1	NO	8
40504	3/8-16	3	1	YES	10
40505	3/8-16	3-1/2	1-1/4	YES	12
40506	3/8-16	4	1-1/4	YES	13
40507	3/8-16	4-1/2	1-1/4	YES	16
40508	3/8-16	5	1-1/4	YES	18
40509	3/8-16	5-1/2	1-1/4	YES	21
40510	3/8-16	6	1-1/4	YES	23
40511	3/8-16	6-1/2	1-1/4	YES	25
40512	3/8-16	7	1-1/4	YES	27
40513	3/8-16	7-1/2	1-1/4	YES	29
40514	3/8-16	8	1-1/4	YES	31

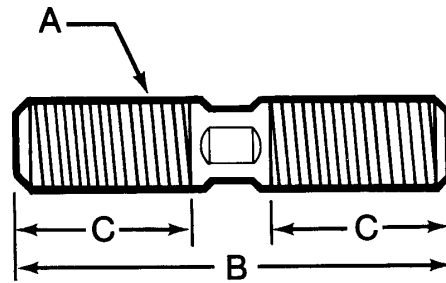
Part No.	Thread A	B	C	Flats	Weight (lbs/100pcs)
40601	7/16-14	1-1/2	1/2	NO	5
40602	7/16-14	2	3/4	NO	8
40603	7/16-14	2-1/2	1	NO	10
40604	7/16-14	3	1	YES	13
40605	7/16-14	3-1/2	1-1/4	YES	15
40606	7/16-14	4	1-3/8	YES	18
40607	7/16-14	4-1/2	1-3/8	YES	20
40608	7/16-14	5	1-3/8	YES	23
40609	7/16-14	5-1/2	1-3/8	YES	25
40610	7/16-14	6	1-3/8	YES	28
40611	7/16-14	6-1/2	1-3/8	YES	30
40612	7/16-14	7	1-3/8	YES	33
40613	7/16-14	7-1/2	1-3/8	YES	35
40614	7/16-14	8	1-3/8	YES	38
40701	1/2-13	1-1/2	1/2	NO	7
40702	1/2-13	2	3/4	NO	9
40703	1/2-13	2-1/2	1	NO	12
40704	1/2-13	3	1	YES	14
40705	1/2-13	3-1/2	1-1/4	YES	17
40706	1/2-13	4	1-1/2	YES	19
40707	1/2-13	4-1/2	1-1/2	YES	22
40708	1/2-13	5	1-1/2	YES	24
40709	1/2-13	5-1/2	1-1/2	YES	27
40710	1/2-13	6	1-1/2	YES	29
40711	1/2-13	6-1/2	1-1/2	YES	32
40712	1/2-13	7	1-1/2	YES	34
40713	1/2-13	7-1/2	1-1/2	YES	37
40714	1/2-13	8	1-1/2	YES	39
40715	1/2-13	9	1-1/2	YES	44
40716	1/2-13	10	1-1/2	YES	49
40717	1/2-13	12	1-1/2	YES	59
40718	1/2-13	14	1-1/2	YES	69
40719	1/2-13	16	1-1/2	YES	79
40801	5/8-11	1-1/2	1/2	NO	12
40802	5/8-11	2	3/4	NO	16
40803	5/8-11	2-1/2	1	NO	19
40804	5/8-11	3	1	YES	23
40805	5/8-11	3-1/2	1-1/4	YES	27
40806	5/8-11	4	1-1/2	YES	31
40807	5/8-11	4-1/2	1-3/4	YES	34
40808	5/8-11	5	1-3/4	YES	38
40809	5/8-11	5-1/2	1-3/4	YES	42
40810	5/8-11	6	1-3/4	YES	46
40811	5/8-11	6-1/2	1-3/4	YES	49
40812	5/8-11	7	1-3/4	YES	53
40813	5/8-11	7-1/2	1-3/4	YES	57
40814	5/8-11	8	1-3/4	YES	61
40815	5/8-11	9	1-3/4	YES	68
40816	5/8-11	10	1-3/4	YES	76
40817	5/8-11	12	1-3/4	YES	91
40818	5/8-11	14	1-3/4	YES	106
40819	5/8-11	16	1-3/4	YES	121
40820	5/8-11	18	1-3/4	YES	136
40821	5/8-11	20	1-3/4	YES	161
40822	5/8-11	22	1-3/4	YES	176
40823	5/8-11	24	1-3/4	YES	201

(Driver Studs continued on page10)

TOOLING COMPONENTS



Driver Studs (continued)



Part No.	Thread A	B	C	Flats	Weight (lbs/100pcs)
40901	3/4-10	3	1	YES	32
40902	3/4-10	3-1/2	1-1/4	YES	38
40903	3/4-10	4	1-1/2	YES	43
40904	3/4-10	4-1/2	1-3/4	YES	49
40905	3/4-10	5	2	YES	54
40906	3/4-10	5-1/2	2	YES	60
40907	3/4-10	6	2	YES	66
40908	3/4-10	6-1/2	2	YES	71
40909	3/4-10	7	2	YES	77
40910	3/4-10	7-1/2	2	YES	83
40911	3/4-10	8	2	YES	88
40912	3/4-10	9	2	YES	99
40913	3/4-10	10	2	YES	111
40914	3/4-10	12	2	YES	133
40915	3/4-10	14	2	YES	156
40916	3/4-10	16	2	YES	178
40917	3/4-10	18	2	YES	201
40918	3/4-10	20	2	YES	223
40919	3/4-10	22	2	YES	246
40920	3/4-10	24	2	YES	268
41001	7/8-9	3	1	YES	43
41002	7/8-9	3-1/2	1-1/4	YES	49
41003	7/8-9	4	1-1/2	YES	56
41004	7/8-9	4-1/2	1-3/4	YES	62
41005	7/8-9	5	2	YES	78
41006	7/8-9	5-1/2	2-1/4	YES	84
41007	7/8-9	6	2-1/4	YES	88
41008	7/8-9	6-1/2	2-1/4	YES	97
41009	7/8-9	7	2-1/4	YES	103
41010	7/8-9	7-1/2	2-1/4	YES	109
41011	7/8-9	8	2-1/4	YES	116
41012	7/8-9	9	2-1/4	YES	128
41013	7/8-9	10	2-1/4	YES	141
41014	7/8-9	12	2-1/4	YES	166
41015	7/8-9	14	2-1/4	YES	191
41016	7/8-9	16	2-1/4	YES	216
41017	7/8-9	18	2-1/4	YES	241
41018	7/8-9	20	2-1/4	YES	266
41019	7/8-9	22	2-1/4	YES	291
41020	7/8-9	24	2-1/4	YES	316

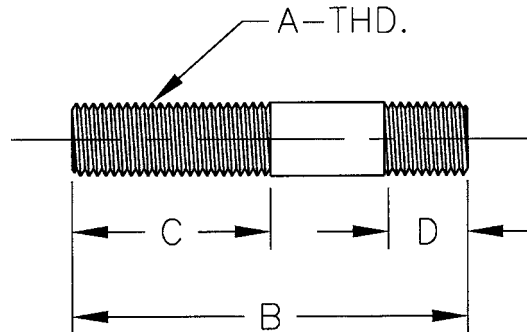
Part No.	Thread A	B	C	Flats	Weight (lbs/100pcs)
41101	1-8	3	1	YES	58
41102	1-8	3-1/2	1-1/4	YES	67
41103	1-8	4	1-1/2	YES	76
41104	1-8	4-1/2	1-3/4	YES	86
41105	1-8	5	2	YES	95
41106	1-8	5-1/2	2-1/4	YES	104
41107	1-8	6	2-1/2	YES	114
41108	1-8	6-1/2	2-1/2	YES	123
41109	1-8	7	2-1/2	YES	133
41110	1-8	7-1/2	2-1/2	YES	142
41111	1-8	8	2-1/2	YES	151
41112	1-8	9	2-1/2	YES	170
41113	1-8	10	2-1/2	YES	189
41114	1-8	12	2-1/2	YES	226
41115	1-8	14	2-1/2	YES	264
41116	1-8	16	2-1/2	YES	301
41117	1-8	18	2-1/2	YES	339
41118	1-8	20	2-1/2	YES	376
41119	1-8	22	2-1/2	YES	414
41120	1-8	24	2-1/2	YES	451

May Be Used With:

- T-Nuts, see pgs. 20-22
- Flange Nuts, see pgs. 22-24
- Flat Washers, see pgs. 26-27
- Spherical Washers, see pgs. 28-29

Driver Studs – Various Thread Lengths

- Black Oxide Finish
- Medium Carbon Steel
- Special lengths & sizes quoted upon request
- Metric studs dimensioned in millimeters



Metric

Part No.	Thread A	B	C	D
60251	M6 x 1.0	50	20	12
60252	M6 x 1.0	65	20	12
60253	M6 x 1.0	80	27	12
60254	M6 x 1.0	95	27	12
60255	M6 x 1.0	110	31	12
60351	M8 x 1.25	50	20	12
60352	M8 x 1.25	65	20	12
60353	M8 x 1.25	80	27	12
60354	M8 x 1.25	95	31	12
60355	M8 x 1.25	110	31	12
60356	M8 x 1.25	140	35	12
60451	M10 x 1.5	50	20	16
60452	M10 x 1.5	65	20	16
60453	M10 x 1.5	80	27	16
60454	M10 x 1.5	95	31	16
60455	M10 x 1.5	110	35	16
60456	M10 x 1.5	140	35	16
60551	M12 x 1.75	50	20	16
60552	M12 x 1.75	65	20	16
60553	M12 x 1.75	80	27	16
60554	M12 x 1.75	95	31	16
60555	M12 x 1.75	110	39	16
60556	M12 x 1.75	140	39	16
60557	M12 x 1.75	175	39	16
60558	M12 x 1.75	200	39	16
60651	M16 x 2.0	80	21	18
60652	M16 x 2.0	110	47	18
60653	M16 x 2.0	150	47	18
60654	M16 x 2.0	175	47	18
60655	M16 x 2.0	200	47	18
60656	M16 x 2.0	250	47	18
60751	M20 x 2.5	80	27	20
60752	M20 x 2.5	110	47	20
60753	M20 x 2.5	150	55	20
60754	M20 x 2.5	175	55	20
60755	M20 x 2.5	200	55	20
60851	M24 x 3.0	160	100	35
60852	M24 x 3.0	300	100	35

English

Part No.	Thread A	B	C	D
40350	1/4-20	1.50	0.88	0.38
40351	1/4-20	2.00	1.00	0.38
40352	1/4-20	2.50	1.00	0.38
40353	1/4-20	3.00	1.50	0.38
40354	1/4-20	4.00	1.75	0.38
40355	1/4-20	5.00	1.75	0.38
40356	1/4-20	6.00	2.00	0.38
40357	1/4-20	7.00	2.00	0.38
40358	1/4-20	8.00	2.50	0.38
40450	5/16-18	1.50	0.75	0.50
40451	5/16-18	2.00	1.00	0.50
40452	5/16-18	2.50	1.00	0.50
40453	5/16-18	3.00	1.50	0.50
40454	5/16-18	4.00	1.50	0.50
40455	5/16-18	5.00	1.75	0.50
40456	5/16-18	6.00	2.00	0.50
40457	5/16-18	7.00	2.00	0.50
40458	5/16-18	8.00	2.50	0.50
40550	3/8-16	1.50	0.63	0.63
40551	3/8-16	2.00	1.00	0.63
40552	3/8-16	3.00	1.50	0.63
40553	3/8-16	4.00	1.50	0.63
40554	3/8-16	5.00	1.75	0.63
40555	3/8-16	6.00	2.00	0.63
40556	3/8-16	8.00	2.50	0.63
40770	1/2-13	1.50	0.63	0.63
40771	1/2-13	2.00	1.00	0.63
40772	1/2-13	3.00	1.50	0.75
40773	1/2-13	4.00	1.50	0.75
40774	1/2-13	5.00	1.75	0.75
40775	1/2-13	5.50	1.75	0.75
40776	1/2-13	6.00	2.00	0.75
40777	1/2-13	6.50	2.00	0.75
40778	1/2-13	7.00	2.00	0.75
40779	1/2-13	8.00	2.50	0.75
40780	1/2-13	9.00	2.50	0.75
40781	1/2-13	10.00	3.00	0.75
40782	1/2-13	12.00	3.00	0.75

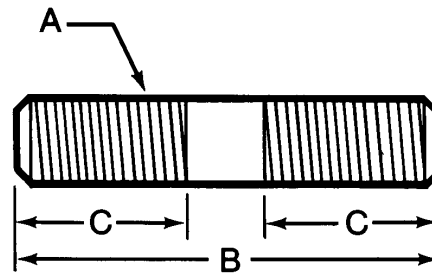
Part No.	Thread A	B	C	D
40850	5/8-11	2.00	1.00	0.63
40851	5/8-11	2.50	1.00	0.88
40852	5/8-11	3.00	1.50	0.88
40853	5/8-11	4.00	1.75	0.88
40854	5/8-11	5.00	1.75	0.88
40855	5/8-11	5.50	2.00	0.88
40856	5/8-11	6.00	2.00	0.88
40857	5/8-11	6.50	2.00	0.88
40858	5/8-11	7.00	2.00	0.88
40859	5/8-11	8.00	2.50	0.88
40860	5/8-11	9.00	2.50	0.88
40861	5/8-11	10.00	2.50	0.88
40862	5/8-11	12.00	3.00	0.88
40863	5/8-11	14.00	3.00	0.88
40950	3/4-10	3.00	1.50	1.00
40951	3/4-10	4.00	1.75	1.00
40952	3/4-10	5.00	1.75	1.00
40953	3/4-10	6.00	2.00	1.00
40954	3/4-10	7.00	2.00	1.00
40955	3/4-10	8.00	2.50	1.00
40956	3/4-10	9.00	2.50	1.00
40957	3/4-10	10.00	2.50	1.00
40958	3/4-10	12.00	3.00	1.00
40959	3/4-10	14.00	3.00	1.00
41050	7/8-9	3.00	1.00	1.25
41051	7/8-9	4.00	1.75	1.25
41052	7/8-9	5.00	1.75	1.25
41053	7/8-9	6.00	2.00	1.25
41054	7/8-9	7.00	2.50	1.25
41055	7/8-9	8.00	2.50	1.25
41056	7/8-9	9.00	3.00	1.25
41057	7/8-9	10.00	3.00	1.25
41058	7/8-9	12.00	3.00	1.25
41150	1-8	4.00	1.75	1.50
41151	1-8	5.00	1.75	1.50
41152	1-8	6.00	2.00	1.50
41153	1-8	8.00	2.50	1.50
41154	1-8	12.00	3.00	1.50

TOOLING COMPONENTS



Metric Studs

- Black Oxide Finish
- Tensile Strength: 125,000 p.s.i. min.
- Medium Carbon Steel
- Dimension in millimeters.
- Special lengths and sizes quoted upon request

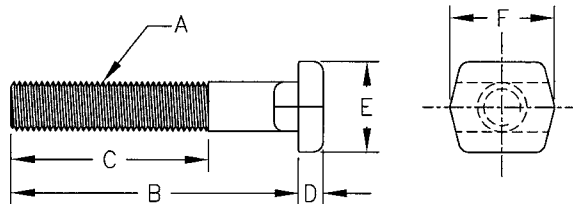


Part No.	Thread A	B	C	Weight (lbs/100pcs)
60201	M6 x 1.0	50	20	2
60202	M6 x 1.0	65	20	2.7
60203	M6 x 1.0	80	27	3
60204	M6 x 1.0	95	27	4
60206	M6 x 1.0	110	31	5
60208	M6 x 1.0	140	35	6
60210	M6 x 1.0	150	35	7
60211	M6 x 1.0	175	35	8
60213	M6 x 1.0	200	35	9
60301	M8 x 1.25	50	20	4
60302	M8 x 1.25	65	20	5
60303	M8 x 1.25	80	27	6
60304	M8 x 1.25	95	31	8
60306	M8 x 1.25	110	31	9
60308	M8 x 1.25	140	35	11
60310	M8 x 1.25	150	35	12
60311	M8 x 1.25	175	35	13
60313	M8 x 1.25	200	35	16
60401	M10 x 1.5	50	20	6
60402	M10 x 1.5	65	20	8
60403	M10 x 1.5	80	27	9
60404	M10 x 1.5	95	31	11
60406	M10 x 1.5	110	35	13
60407	M10 x 1.5	125	35	15
60408	M10 x 1.5	140	35	17
60410	M10 x 1.5	150	35	19
60411	M10 x 1.5	175	35	21
60413	M10 x 1.5	200	35	24
60501	M12 x 1.75	50	20	8
60502	M12 x 1.75	65	20	11
60503	M12 x 1.75	80	27	13
60504	M12 x 1.75	95	31	15

Part No.	Thread A	B	C	Weight (lbs/100pcs)
60506	M12 x 1.75	110	39	18
60507	M12 x 1.75	125	39	21
60508	M12 x 1.75	140	39	24
60510	M12 x 1.75	150	39	26
60511	M12 x 1.75	175	39	30
60513	M12 x 1.75	200	39	35
60603	M16 x 2.0	80	21	24
60604	M16 x 2.0	95	31	29
60606	M16 x 2.0	110	47	33
60607	M16 x 2.0	125	47	38
60609	M16 x 2.0	150	47	48
60611	M16 x 2.0	175	47	55
60613	M16 x 2.0	200	47	63
60615	M16 x 2.0	250	47	80
60616	M16 x 2.0	300	47	96
60703	M20 x 2.5	80	27	38
60704	M20 x 2.5	95	31	45
60706	M20 x 2.5	110	47	51
60707	M20 x 2.5	125	55	58
60709	M20 x 2.5	150	55	72
60711	M20 x 2.5	175	55	84
60713	M20 x 2.5	200	55	97
60715	M20 x 2.5	250	55	124
60716	M20 x 2.5	300	55	148
60805	M24 x 3.0	100	39	69
60807	M24 x 3.0	125	55	82
60809	M24 x 3.0	150	63	100
60811	M24x 3.0	175	63	120
60813	M24x 3.0	200	63	137
60815	M24 x 3.0	250	63	175
60816	M24 x 3.0	300	63	213

Heavy Duty T-Slot Bolts – 4140 Steel

- Black Oxide Finish
- 4140 Steel
- T-Slot Bolt head is undersized to fit machine table slot
- Thread Class 2A UNC
- Special lengths and sizes quoted upon request



Part No.	Thread A	B	C	D	E	F	Table Slot	Weight (lbs/100pcs)
45458	1/2-13	1-1/4	3/4	5/16	7/8	1-1/4	1/2	15
45459	1/2-13	1-1/2	1	5/16	7/8	1-1/4	1/2	15
45469	1/2-13	1-3/4	1	5/16	7/8	1-1/4	1/2	16
45460	1/2-13	2	1	5/16	7/8	1-1/4	1/2	17
45470	1/2-13	2-1/4	1	5/16	7/8	1-1/4	1/2	18
45461	1/2-13	2-1/2	1-1/4	5/16	7/8	1-1/4	1/2	19
45462	1/2-13	3	1-1/2	5/16	7/8	1-1/4	1/2	22
45463	1/2-13	3-1/2	1-1/2	5/16	7/8	1-1/4	1/2	23.5
45464	1/2-13	4	1-1/2	5/16	7/8	1-1/4	1/2	26.5
45471	1/2-13	4-1/2	2	5/16	7/8	1-1/4	1/2	30
45465	1/2-13	5	2	5/16	7/8	1-1/4	1/2	32
45466	1/2-13	6	2	5/16	7/8	1-1/4	1/2	39
45467	1/2-13	8	2	5/16	7/8	1-1/4	1/2	48
45468	1/2-13	9	2	5/16	7/8	1-1/4	1/2	54
45560	5/8-11	2	1-1/4	3/8	1-1/8	1-1/2	5/8	29
45569	5/8-11	2-1/4	1-1/4	3/8	1-1/8	1-1/2	5/8	31
45561	5/8-11	2-1/2	1-1/4	3/8	1-1/8	1-1/2	5/8	33
45570	5/8-11	2-3/4	1-1/2	3/8	1-1/8	1-1/2	5/8	35
45562	5/8-11	3	1-1/2	3/8	1-1/8	1-1/2	5/8	37
45563	5/8-11	3-1/2	1-1/2	3/8	1-1/8	1-1/2	5/8	42
45564	5/8-11	4	1-1/2	3/8	1-1/8	1-1/2	5/8	45
45571	5/8-11	4-1/2	1-1/2	3/8	1-1/8	1-1/2	5/8	50
45565	5/8-11	5	1-1/2	3/8	1-1/8	1-1/2	5/8	53
45566	5/8-11	6	1-1/2	3/8	1-1/8	1-1/2	5/8	61
45572	5/8-11	7	3	3/8	1-1/8	1-1/2	5/8	70
45567	5/8-11	8	3	3/8	1-1/8	1-1/2	5/8	75
45568	5/8-11	10	3	3/8	1-1/8	1-1/2	5/8	96
45573	5/8-11	12	3	3/8	1-1/8	1-1/2	5/8	114
45659	3/4-10	2-1/2	1-1/2	7/16	1-5/16	1-3/4	3/4	56
45660	3/4-10	3	1-1/2	7/16	1-5/16	1-3/4	3/4	58
45661	3/4-10	3-1/2	1-1/2	7/16	1-5/16	1-3/4	3/4	64
45662	3/4-10	4	1-1/2	7/16	1-5/16	1-3/4	3/4	69
45668	3/4-10	4-1/2	1-1/2	7/16	1-5/16	1-3/4	3/4	76
45663	3/4-10	5	1-1/2	7/16	1-5/16	1-3/4	3/4	81
45669	3/4-10	5-1/2	1-1/2	7/16	1-5/16	1-3/4	3/4	90
45664	3/4-10	6	1-1/2	7/16	1-5/16	1-3/4	3/4	117
45665	3/4-10	8	1-1/2	7/16	1-5/16	1-3/4	3/4	93
45666	3/4-10	10	3	7/16	1-5/16	1-3/4	3/4	143
45667	3/4-10	12	3	7/16	1-5/16	1-3/4	3/4	166
45670	3/4-10	7	3	7/16	1-5/16	1-3/4	3/4	107
45760	7/8-9	4	2	9/16	1-1/2	1-3/4	7/8	99
45761	7/8-9	5	2	9/16	1-1/2	1-3/4	7/8	115
45762	7/8-9	6	2	9/16	1-1/2	1-3/4	7/8	132
45763	7/8-9	7	2	9/16	1-1/2	1-3/4	7/8	149
45764	7/8-9	8	2	9/16	1-1/2	1-3/4	7/8	166
45858	1-8	3-1/2	2-1/2	1/2	1-11/16	2-1/4	1	135
45866	1-8	4-1/2	2-1/2	1/2	1-11/16	2-1/4	1	160
45859	1-8	4	2-1/2	1/2	1-11/16	2-1/4	1	150
45860	1-8	5	2-1/2	1/2	1-11/16	2-1/4	1	165
45861	1-8	6	2-1/2	1/2	1-11/16	2-1/4	1	188
45862	1-8	8	3	1/2	1-11/16	2-1/4	1	231
45863	1-8	7	3	1/2	1-11/16	2-1/4	1	210
45864	1-8	10	3	1/2	1-11/16	2-1/4	1	274
45865	1-8	12	3	1/2	1-11/16	2-1/4	1	319

T-Slot Cleaner Part No. 50101

- This 1" wide t-slot cleaner allows for easy removal of chips from the machine table
- Made of steel for durability
- Weight per 100 pcs. = 11.3 lbs.

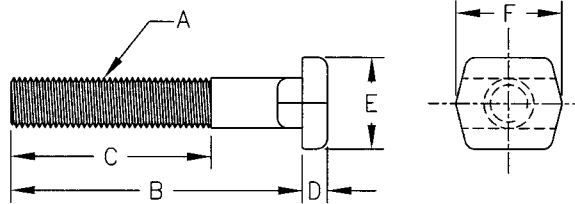


TOOLING COMPONENTS



Tugger® T-Slot Bolts

- Black Oxide Finish
- Medium Carbon Steel
- T-Slot Bolt head is undersized to fit machine table slot
- Thread Class 2A UNC
- Special lengths and sizes quoted upon request



Part No.	Thread A	B	C	D	E	F	Table Slot	Weight (lbs/100pcs)
45203	3/8-16	1-1/2	1	3/16	11/16	13/16	3/8	7
45205	3/8-16	2	1-1/2	3/16	11/16	13/16	3/8	8
45207	3/8-16	2-1/2	2	3/16	11/16	13/16	3/8	10
45209	3/8-16	3	2	3/16	11/16	13/16	3/8	11
45210	3/8-16	3-1/2	2	3/16	11/16	13/16	3/8	12.5
45211	3/8-16	4	2	3/16	11/16	13/16	3/8	14
45212	3/8-16	4-1/2	2	3/16	11/16	13/16	3/8	15
45213	3/8-16	5	2	3/16	11/16	13/16	3/8	17.5
45214	3/8-16	5-1/2	2	3/16	11/16	13/16	3/8	19
45215	3/8-16	6	2	3/16	11/16	13/16	3/8	20
45216	3/8-16	7	2	3/16	11/16	13/16	3/8	23
45217	3/8-16	8	2	3/16	11/16	13/16	3/8	26
45402	1/2-13	1-1/2	1	1/4	7/8	1-3/16	1/2	14
45404	1/2-13	2	1-1/2	1/4	7/8	1-3/16	1/2	17
45406	1/2-13	2-1/2	2	1/4	7/8	1-3/16	1/2	19
45408	1/2-13	3	2	1/4	7/8	1-3/16	1/2	22
45409	1/2-13	3-1/2	2	1/4	7/8	1-3/16	1/2	23.5
45410	1/2-13	4	2	1/4	7/8	1-3/16	1/2	26.5
45411	1/2-13	4-1/2	2	1/4	7/8	1-3/16	1/2	29
45412	1/2-13	5	2	1/4	7/8	1-3/16	1/2	32
45413	1/2-13	5-1/2	2	1/4	7/8	1-3/16	1/2	35
45414	1/2-13	6	2	1/4	7/8	1-3/16	1/2	39
45415	1/2-13	7	2	1/4	7/8	1-3/16	1/2	70
45416	1/2-13	8	2	1/4	7/8	1-3/16	1/2	48
45417	1/2-13	9	2	1/4	7/8	1-3/16	1/2	54
45418	1/2-13	10	2	1/4	7/8	1-3/16	1/2	59
45419	1/2-13	12	2	1/4	7/8	1-3/16	1/2	71
45501	5/8-11	1-1/2	1	11/32	1-1/8	1-5/16	5/8	25
45502	5/8-11	2	1-1/2	11/32	1-1/8	1-5/16	5/8	29
45504	5/8-11	2-1/2	2	11/32	1-1/8	1-5/16	5/8	33
45506	5/8-11	3	2	11/32	1-1/8	1-5/16	5/8	37
45507	5/8-11	3-1/2	2	11/32	1-1/8	1-5/16	5/8	42
45508	5/8-11	4	2	11/32	1-1/8	1-5/16	5/8	45
45509	5/8-11	4-1/2	2	11/32	1-1/8	1-5/16	5/8	49
45510	5/8-11	5	2	11/32	1-1/8	1-5/16	5/8	53
45511	5/8-11	5-1/2	2	11/32	1-1/8	1-5/16	5/8	57
45512	5/8-11	6	2	11/32	1-1/8	1-5/16	5/8	61
45513	5/8-11	7	2	11/32	1-1/8	1-5/16	5/8	69
45514	5/8-11	8	2	11/32	1-1/8	1-5/16	5/8	75
45515	5/8-11	9	2	11/32	1-1/8	1-5/16	5/8	88
45516	5/8-11	10	2	11/32	1-1/8	1-5/16	5/8	96
45517	5/8-11	12	2	11/32	1-1/8	1-5/16	5/8	114

Part No.	Thread A	B	C	D	E	F	Table Slot	Weight (lbs/100pcs)
45601	3/4-10	2	1-1/2	15/32	1-1/4	1-9/16	3/4	46
45602	3/4-10	2-1/2	2	15/32	1-1/4	1-9/16	3/4	52
45603	3/4-10	3	2	15/32	1-1/4	1-9/16	3/4	58
45604	3/4-10	3-1/2	2	15/32	1-1/4	1-9/16	3/4	64
45605	3/4-10	4	2	15/32	1-1/4	1-9/16	3/4	69
45606	3/4-10	4-1/2	2	15/32	1-1/4	1-9/16	3/4	74
45607	3/4-10	5	2	15/32	1-1/4	1-9/16	3/4	81
45608	3/4-10	5-1/2	2	15/32	1-1/4	1-9/16	3/4	86
45609	3/4-10	6	2	15/32	1-1/4	1-9/16	3/4	93
45610	3/4-10	7	2	15/32	1-1/4	1-9/16	3/4	105
45611	3/4-10	8	2	15/32	1-1/4	1-9/16	3/4	117
45612	3/4-10	9	2	15/32	1-1/4	1-9/16	3/4	129
45613	3/4-10	10	2	15/32	1-1/4	1-9/16	3/4	143
45614	3/4-10	12	2	15/32	1-1/4	1-9/16	3/4	166
45701	7/8-9	3	2	9/16	1-1/2	1-3/4	7/8	84
45702	7/8-9	4	2	9/16	1-1/2	1-3/4	7/8	99
45703	7/8-9	5	2	9/16	1-1/2	1-3/4	7/8	115
45704	7/8-9	6	2	9/16	1-1/2	1-3/4	7/8	132
45705	7/8-9	7	2	9/16	1-1/2	1-3/4	7/8	149
45706	7/8-9	8	2	9/16	1-1/2	1-3/4	7/8	166
45707	7/8-9	9	2	9/16	1-1/2	1-3/4	7/8	184
45708	7/8-9	10	2	9/16	1-1/2	1-3/4	7/8	199
45709	7/8-9	12	2	9/16	1-1/2	1-3/4	7/8	232
45710	7/8-9	14	2	9/16	1-1/2	1-3/4	7/8	265
45711	7/8-9	16	2	9/16	1-1/2	1-3/4	7/8	300
45712	7/8-9	18	2	9/16	1-1/2	1-3/4	7/8	332
45801	1-8	3	2	11/16	1-3/4	2-1/16	1	123
45802	1-8	4	2	11/16	1-3/4	2-1/16	1	144
45803	1-8	5	2	11/16	1-3/4	2-1/16	1	165
45804	1-8	6	2	11/16	1-3/4	2-1/16	1	188
45805	1-8	7	2	11/16	1-3/4	2-1/16	1	210
45806	1-8	8	2	11/16	1-3/4	2-1/16	1	231
45807	1-8	9	2	11/16	1-3/4	2-1/16	1	252
45808	1-8	10	2	11/16	1-3/4	2-1/16	1	274
45809	1-8	12	2	11/16	1-3/4	2-1/16	1	319
45810	1-8	14	2	11/16	1-3/4	2-1/16	1	360
45811	1-8	16	2	11/16	1-3/4	2-1/16	1	404
45812	1-8	18	2	11/16	1-3/4	2-1/16	1	453

Tugger® T-Slot Bolt Super Clamp Kit

Kit Contains:

- 24 T-Slot Bolts
 - Short Series: 4 each of 1-1/2", 2", 2-1/2", 3", 3-1/2" and 4" long
 - Long Series: 4 each of 3", 4", 5", 6", 7" and 8" long
- 8 Flange Nuts
- 6 Step Blocks
- 6 Serrated End Clamps
- 1 T-Slot Cleaner
- 1 Holder (wooden base/metal tray)



Part No.	T-Slot Size	Bolt Length	Thread Size
WITH 1" THICK STEP BLOCKS			
21350	3/8	Short	3/8-16
21351	3/8	Long	3/8-16
21352	1/2	Short	1/2-13
21353	1/2	Long	1/2-13
21354	5/8	Short	5/8-11
21355	5/8	Long	5/8-11
WITH 1-1/2" THICK STEP BLOCKS			
21356	1/2	Short	1/2-13
21357	1/2	Long	1/2-13
21358	5/8	Short	5/8-11
21359	5/8	Long	5/8-11
21360	3/4	Long	3/4-10

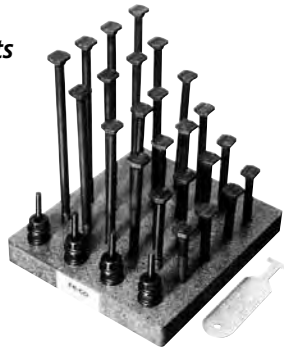
See individual components for material information.

Tugger® T-Slot Bolt Kits

See individual components for material information.

Kit Contains:

- 24 T-Slot Bolts:
 - Short Series: 4 each of 1-1/2", 2", 2-1/2", 3", 3-1/2" and 4" long
 - Long Series: 4 each of 3", 4", 5", 6", 7" and 8" long
- 8 Flange Nuts
- 1 T-Slot Cleaner
- 1 Holder



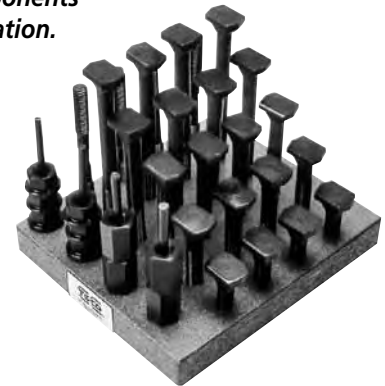
Part No.	Thread Size	Table Slot	Bolt Series	4 Each O.A.L.
21330	3/8-16	3/8	Short	1-1/2 thru 4
21332	1/2-13	1/2	Short	1-1/2 thru 4
21334	5/8-11	5/8	Short	1-1/2 thru 4
21331	3/8-16	3/8	Long	3 thru 8
21333	1/2-13	1/2	Long	3 thru 8
21335	5/8-11	5/8	Long	3 thru 8
21336	3/4-10	3/4	Long	3 thru 8

Tugger® T-Slot Bolt /Stud Kits

See individual components for material information.

Kit Contains:

- 20 T-Slot Bolts
- 4 Studs
- 6 Flange Nuts
- 4 Coupling Nuts
- 1 T-Slot Cleaner
- 1 Holder



Part No.	Thread Size	Table Slot	Set Incl. 4 Ea T-Slot Bolts	Stud Length
21340	3/8-16	3/8	1-1/2", 2", 2-1/2", 3", 4"	4
21341	1/2-13	1/2	2", 3", 4", 5", 6"	5
21342	5/8-11	5/8	3", 4", 5", 6", 8"	6
21343	3/4-10	3/4	3", 4", 5", 6", 8"	7
21344	1-8	1	4", 5", 6", 8", 10"	8

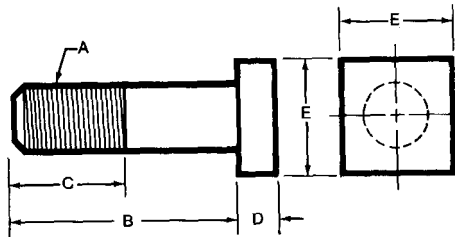
TOOLING COMPONENTS



Stainless Steel T-Bolts



- Material: 304 Stainless Steel
- Special lengths and sizes quoted upon request

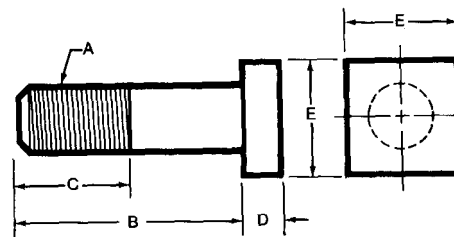


Part No.	Thread A	B	C	D	E	Table Slot	Weight (lbs/100pcs)
46480	1/2-13	1-1/2	1	5/16	7/8	1/2	15
46481	1/2-13	2	1-1/2	5/16	7/8	1/2	17
46482	1/2-13	2-1/2	2	5/16	7/8	1/2	19
46483	1/2-13	3	2	5/16	7/8	1/2	22
46484	1/2-13	4	2	5/16	7/8	1/2	28
46485	1/2-13	5	2	5/16	7/8	1/2	33
46486	1/2-13	6	2	5/16	7/8	1/2	39
46487	1/2-13	8	2	5/16	7/8	1/2	50
46580	5/8-11	2	1-1/2	13/32	1-1/8	5/8	30
46581	5/8-11	2-1/2	2	13/32	1-1/8	5/8	33
46582	5/8-11	3	2	13/32	1-1/8	5/8	38
46583	5/8-11	4	2	13/32	1-1/8	5/8	46
46584	5/8-11	5	2	13/32	1-1/8	5/8	55
46585	5/8-11	6	2	13/32	1-1/8	5/8	63
46586	5/8-11	8	2	13/32	1-1/8	5/8	82
46680	3/4-10	2-1/2	1-3/4	17/32	1-5/16	3/4	56
46681	3/4-10	3	2	17/32	1-5/16	3/4	59
46682	3/4-10	3-1/2	2	17/32	1-5/16	3/4	66
46683	3/4-10	4	2	17/32	1-5/16	3/4	68
46684	3/4-10	5	2	17/32	1-5/16	3/4	81
46685	3/4-10	6	2-1/2	17/32	1-5/16	3/4	96
46686	3/4-10	8	2-1/2	17/32	1-5/16	3/4	120

Heavy Duty 4140 Steel T-Bolts



- Black Oxide Finish
- 4140 Steel
- Thread Class 2A UNC
- Special lengths and sizes quoted upon request



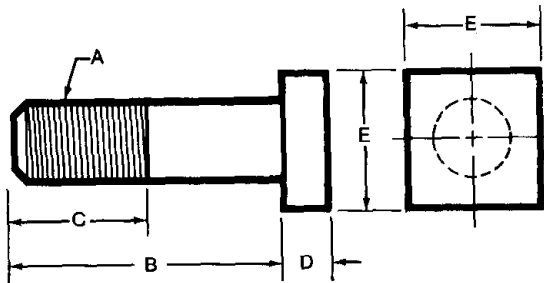
Part No.	Thread A	B	C	D	E	Table Slot	Weight (lbs/100pcs)
46260	3/8-16	1-1/2	1	1/4	11/16	3/8	7
46261	3/8-16	2	1-1/2	1/4	11/16	3/8	9
46262	3/8-16	2-1/2	2	1/4	11/16	3/8	11
46263	3/8-16	3	2	1/4	11/16	3/8	12
46264	3/8-16	3-1/2	2	1/4	11/16	3/8	13
46265	3/8-16	4	2	1/4	11/16	3/8	15
46266	3/8-16	5	2	1/4	11/16	3/8	18
46267	3/8-16	6	2	1/4	11/16	3/8	21
46460	1/2-13	1-1/2	1	5/16	7/8	1/2	14
46461	1/2-13	2	1-1/2	5/16	7/8	1/2	17
46462	1/2-13	2-1/2	2	5/16	7/8	1/2	18
46463	1/2-13	3	2	5/16	7/8	1/2	21
46464	1/2-13	3-1/2	2	5/16	7/8	1/2	24
46465	1/2-13	4	2	5/16	7/8	1/2	27
46466	1/2-13	5	2	5/16	7/8	1/2	32
46467	1/2-13	6	2	5/16	7/8	1/2	38
46468	1/2-13	7	2	5/16	7/8	1/2	43
46469	1/2-13	8	2	5/16	7/8	1/2	49
46560	5/8-11	2	1-1/2	13/32	1-1/8	5/8	29
46561	5/8-11	2-1/2	2	13/32	1-1/8	5/8	32
46562	5/8-11	3	2	13/32	1-1/8	5/8	37
46563	5/8-11	3-1/2	2	13/32	1-1/8	5/8	42
46564	5/8-11	4	2	13/32	1-1/8	5/8	45
46565	5/8-11	5	2	13/32	1-1/8	5/8	54
46566	5/8-11	6	2	13/32	1-1/8	5/8	62
46567	5/8-11	7	2	13/32	1-1/8	5/8	72
46568	5/8-11	8	2	13/32	1-1/8	5/8	81
46569	5/8-11	10	2	13/32	1-1/8	5/8	96
46660	3/4-10	3	2	17/32	1-5/16	3/4	58
46661	3/4-10	3-1/2	2	17/32	1-5/16	3/4	65
46662	3/4-10	4	2	17/32	1-5/16	3/4	67
46663	3/4-10	5	2	17/32	1-5/16	3/4	80
46664	3/4-10	6	2	17/32	1-5/16	3/4	94
46665	3/4-10	7	2	17/32	1-5/16	3/4	106
46666	3/4-10	8	2	17/32	1-5/16	3/4	118
46667	3/4-10	10	2	17/32	1-5/16	3/4	144



TOOLING COMPONENTS

Tugger® T-Bolts

- Black Oxide Finish
- Medium Carbon Steel
- Heat Treated
- Thread Class 2A UNC
- Special lengths and sizes quoted upon request



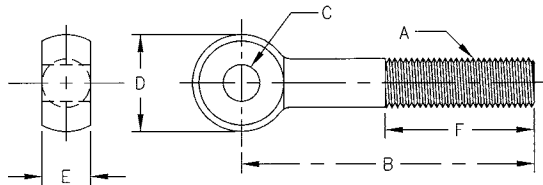
Part No.	Thread A	B	C	D	E	Table Slot	Weight (lbs/100pcs)
46201	3/8-16	1-1/2	1	1/4	11/16	3/8	7
46202	3/8-16	2	1-1/2	1/4	11/16	3/8	9
46203	3/8-16	2-1/2	2	1/4	11/16	3/8	11
46204	3/8-16	3	2	1/4	11/16	3/8	12
46205	3/8-16	3-1/2	2	1/4	11/16	3/8	13
46206	3/8-16	4	2	1/4	11/16	3/8	15
46207	3/8-16	5	2	1/4	11/16	3/8	18
46208	3/8-16	6	2	1/4	11/16	3/8	21
46209	3/8-16	7	2	1/4	11/16	3/8	25
46210	3/8-16	8	2	1/4	11/16	3/8	27
46401	1/2-13	1-1/2	1	5/16	7/8	1/2	14
46402	1/2-13	2	1-1/2	5/16	7/8	1/2	17
46403	1/2-13	2-1/2	2	5/16	7/8	1/2	18
46404	1/2-13	3	2	5/16	7/8	1/2	21
46405	1/2-13	3-1/2	2	5/16	7/8	1/2	24
46406	1/2-13	4	2	5/16	7/8	1/2	27
46413	1/2-13	4-1/2	2	5/16	7/8	1/2	30
46407	1/2-13	5	2	5/16	7/8	1/2	32
46414	1/2-13	5-1/2	2	5/16	7/8	1/2	35
46408	1/2-13	6	2	5/16	7/8	1/2	38
46409	1/2-13	7	2	5/16	7/8	1/2	43
46410	1/2-13	8	2	5/16	7/8	1/2	49
46411	1/2-13	10	2	5/16	7/8	1/2	59
46412	1/2-13	12	2	5/16	7/8	1/2	70
46501	5/8-11	1-1/2	1	13/32	1-1/8	5/8	25
46502	5/8-11	2	1-1/2	13/32	1-1/8	5/8	29
46503	5/8-11	2-1/2	2	13/32	1-1/8	5/8	32
46504	5/8-11	3	2	13/32	1-1/8	5/8	37
46505	5/8-11	3-1/2	2	13/32	1-1/8	5/8	42
46506	5/8-11	4	2	13/32	1-1/8	5/8	45
46513	5/8-11	4-1/2	2	13/32	1-1/8	5/8	50
46507	5/8-11	5	2	13/32	1-1/8	5/8	54
46514	5/8-11	5-1/2	2	13/32	1-1/8	5/8	59
46508	5/8-11	6	2	13/32	1-1/8	5/8	62
46509	5/8-11	7	2	13/32	1-1/8	5/8	72
46510	5/8-11	8	2	13/32	1-1/8	5/8	81
46511	5/8-11	10	2	13/32	1-1/8	5/8	96
46512	5/8-11	12	2	13/32	1-1/8	5/8	115
46600	3/4-10	2-1/2	2	17/32	1-5/16	3/4	56
46601	3/4-10	3	2	17/32	1-5/16	3/4	58
46602	3/4-10	3-1/2	2	17/32	1-5/16	3/4	65
46603	3/4-10	4	2	17/32	1-5/16	3/4	67
46610	3/4-10	4-1/2	2	17/32	1-5/16	3/4	73
46604	3/4-10	5	2	17/32	1-5/16	3/4	80
46611	3/4-10	5-1/2	2	17/32	1-5/16	3/4	90
46605	3/4-10	6	2	17/32	1-5/16	3/4	94
46606	3/4-10	7	2	17/32	1-5/16	3/4	106
46607	3/4-10	8	2	17/32	1-5/16	3/4	118
46608	3/4-10	10	2	17/32	1-5/16	3/4	144
46609	3/4-10	12	2	17/32	1-5/16	3/4	168

Eye Bolts

- Black Oxide Finish
- ASTM A311 Material
- Thread Class 2A UNC
- Special sizes quoted upon request
- Many sizes conform to TCMAI standards



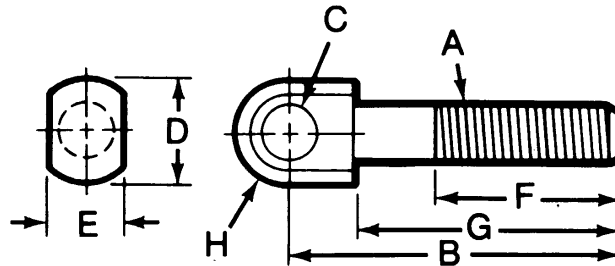
Metric sizes manufactured upon request



Part No.	Thread A	B	+0.001 -0.000 C	D	+0.000 -0.005 E	F	Weight (lbs/100pcs)
42930	1/4-20	2	3/16	1/2	1/4	3/4	3.2
42931	1/4-20	3	3/16	1/2	1/4	1-1/4	4.3
42935	5/16-18	3	1/4	5/8	5/16	1-1/2	6.9
42936	5/16-18	3	5/16	5/8	5/16	1-1/2	6.8
42937	5/16-18	4	1/4	5/8	5/16	2	8.9
42938	5/16-18	4	5/16	5/8	5/16	2	8.6
42940	3/8-16	3	5/16	3/4	3/8	1-1/2	10.6
42941	3/8-16	3	3/8	3/4	3/8	1-1/2	10.3
42942	3/8-16	3-3/4	3/8	3/4	3/8	2	12
42943	3/8-16	5	3/8	3/4	3/8	2-1/2	16
42945	1/2-13	3-3/4	3/8	1	1/2	1-1/2	25
42946	1/2-13	5	3/8	1	1/2	2	31
42950	5/8-11	4-1/2	5/8	1-1/4	5/8	2	44
42951	5/8-11	6	5/8	1-1/4	5/8	2-1/2	56
42955	3/4-10	4-1/2	3/4	1-1/2	3/4	2	65
42956	3/4-10	6	3/4	1-1/2	3/4	2-1/2	83

Latch Swing Bolts

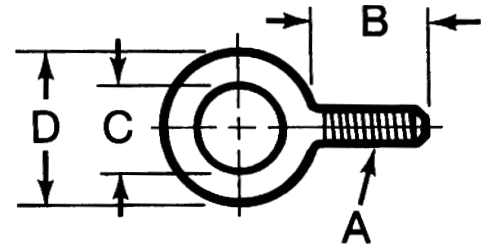
- Black Oxide Finish – steel only
- Case Hardened – steel only
- Material: 12L14 Steel or 303 Stainless Steel
- Thread Class 2A UNC
- Special sizes quoted upon request
- Metric sizes manufactured upon request
- Many sizes conform to TCMAI standards



Steel Part No.	Stainless Steel Part No.	Thread A	B	+0.001 -0.000 C	D	+0.000 -0.005 E	F	G	H	Weight (lbs/100pcs)
43001	43021	1/4-20	1-1/2	1/4	1/2	5/16	3/4	1-3/16	1/4	3
43002	43022	1/4-20	2-1/2	1/4	1/2	5/16	1-1/4	2-3/16	1/4	4.1
43013	43033	1/4-20	2-5/8	1/4	1/2	1/4	2-5/16	2-5/16	1/4	5
43003	43023	5/16-18	2	5/16	5/8	3/8	1	1-5/8	5/16	6
43004	43024	5/16-18	3	5/16	5/8	3/8	1-3/8	2-5/8	5/16	9
43014	43034	5/16-18	3-3/16	5/16	5/8	5/16	2-13/16	2-13/16	21/64	9.5
43005	43025	3/8-16	2-1/2	3/8	3/4	1/2	1-3/8	2	3/8	10
43006	43026	3/8-16	3-1/2	3/8	3/4	1/2	2	3	3/8	14
43015	43035	3/8-16	3-3/4	3/8	3/4	3/8	3-5/16	3.38	25/64	20
43007	43027	1/2-13	3-1/8	1/2	1	5/8	1-3/4	2-1/2	1/2	28
43008	43028	1/2-13	4-1/8	1/2	1	5/8	2-1/4	3-1/2	1/2	30
43016	43036	1/2-13	4-7/8	1/2	1	1/2	4-5/16	4-5/16	33/64	37
43009	43029	5/8-11	3-1/2	5/8	1-1/4	3/4	1-5/8	2-3/4	5/8	45
43010	43030	5/8-11	4-3/4	5/8	1-1/4	3/4	2-1/2	4	5/8	55
43011	43031	3/4-10	4-1/2	3/4	1-1/2	7/8	2	3-5/8	3/4	65
43012	43032	3/4-10	6	3/4	1-1/2	7/8	3	3-5/16	3/4	83

Plain Forged Eye Bolts

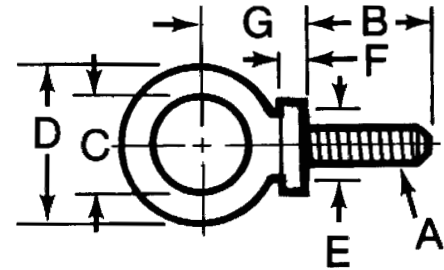
- C1030 Material
- Hot Forged
- For safe working load rating and breaking strength information, see table below.



Part No.	Thread A	B	C	D	Weight (lbs/100pcs)
43102	3/8-16	1-1/4	1	1-21/32	15
43103	1/2-13	1-1/2	1-3/16	2-1/16	25
43104	5/8-11	1-3/4	1-3/8	2-1/2	56
43105	3/4-10	2	1-1/2	2-13/16	94

Shoulder Forged Eye Bolts

- C1030 Material
- Hot Forged
- For safe working load rating and breaking strength information, see table below.



Part No.	Thread A	B	C	D	E	F	G	Weight (lbs/100pcs)
43202	3/8-16	1-1/4	1	1-21/32	11/16	3/16	1-3/16	18
43203	1/2-13	1-1/2	1-3/16	2-1/16	7/8	1/4	1-13/32	35
43204	5/8-11	1-3/4	1-3/8	2-1/2	1-1/8	1/4	1-11/16	75
43205	3/4-10	2	1-1/2	2-13/16	1-1/4	5/16	1-13/16	101

Standard Eyebolt Rated Capacity

Eye Bolt Size	Plain Part No.	Shoulder Part No.	Safe Working Load	Breaking Strength
3/8"	43102	43202	1,300 lbs.	6,300 lbs.
1/2"	43103	43203	2,400 lbs.	12,000 lbs.
5/8"	43104	43204	4,000 lbs.	20,000 lbs.
3/4"	43105	43205	5,000 lbs.	25,000 lbs.

Rated capacity is for **STRAIGHT LIFTS** – angle lifts should be avoided. If using angle lifts, **SHOULDER EYEBOLTS** are recommended and **MUST BE USED WITH A STEEL WASHER** so they seat on the shoulder at all times. **Load limits are reduced by 75% on angle lifts.**

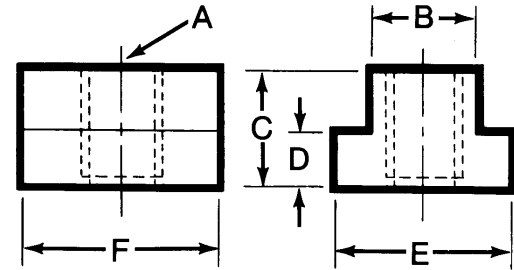
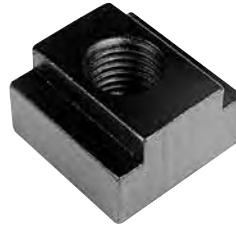
Also see our selection of hoist rings, pages 140-159.

TOOLING COMPONENTS



T-Slot Nuts

- Black oxide finish, case hardened
- 1018 Material
- The last thread is incomplete on T-Slot Nuts to prevent the stud from turning through the bottom of the nut.
- Many sizes conform to TCMAI standards
- Special sizes quoted upon request
- Standard package quantity:
 - 41401- 41419: 25 pcs.
 - 61401- 61413: 25 pcs.



* T-Slot Nuts are undersized to fit machine table slot

** English T-Slot Nut will fit this size metric machine T-Slot.

Inch

Part No.	Tapped Through Part No.	Thread A	*English Table Slot B	**Metric Table Slot	C	D	E	F	Wt. (lbs/ 100 pcs)
41401	41401T	1/4-20	5/16	8MM	1/4	3/16	9/16	9/16	1.7
41402	41402T	1/4-20	3/8	10MM	3/8	15/64	9/16	9/16	2.5
41403	41403T	5/16-18	3/8	10MM	3/8	1/4	5/8	7/8	4.2
41433	41433T	5/16-18	7/16	12MM	1/2	7/32	11/16	7/8	5.8
41434	41434T	5/16-18	1/2	13MM	1/2	9/32	7/8	7/8	7.7
41404	41404T	3/8-16	7/16	12MM	1/2	7/32	11/16	7/8	5.4
41405	41405T	3/8-16	1/2	12MM	1/2	9/32	7/8	7/8	7.3
41406	41406T	3/8-16	9/16	15MM	5/8	11/32	7/8	1-1/8	12.7
41407	41407T	7/16-14	1/2	13MM	1/2	9/32	7/8	7/8	6.8
41408	41408T	7/16-14	1/2	13MM	3/8	7/32	3/4	7/8	4.6
41409	41409T	1/2-13	9/16	15MM	5/8	11/32	7/8	1-1/8	11.4
41410	41410T	1/2-13	5/8	16MM	5/8	11/32	1	1-1/8	13.4
41411	41411T	1/2-13	5/8	16MM	3/4	3/8	1-1/8	1-1/8	16.9
41412	41412T	1/2-13	11/16	18MM	3/4	7/16	1-1/8	1-1/4	21.3
41413	41413T	1/2-13	3/4	20MM	3/4	15/32	1-1/4	1-1/4	24.2
41415	41415T	5/8-11	11/16	18MM	3/4	7/16	1-1/8	1-1/4	19
41416	41416T	5/8-11	3/4	20MM	3/4	15/32	1-1/4	1-1/4	22.2
41417	41417T	5/8-11	13/16	21MM	1	9/16	1-1/4	1-1/2	37
41418	41418T	3/4-10	13/16	21MM	1	9/16	1-1/4	1-1/2	33.9
41419	41419T	3/4-10	7/8	23MM	1	9/16	1-1/2	1-1/2	40.5
41420	41420T	3/4-10	1	26MM	1	5/8	1-5/8	1-3/4	57.6
41421	41421T	3/4-10	1	26MM	1-1/2	3/4	1-3/4	1-3/4	84
41422	41422T	3/4-10	1-1/16	27MM	1-1/8	11/16	1-5/8	2	76.6
41423	41423T	7/8-9	1	26MM	1	5/8	1-5/8	1-3/4	53.6
41424	41424T	7/8-9	1-1/16	27MM	1-1/8	11/16	1-5/8	2	71.2
41425	41425T	7/8-9	1-1/8	29MM	1-1/2	3/4	1-3/4	2	97.6
41429	41429T	7/8-9	1-5/16	34MM	1-1/4	15/16	2	2	109
41426	41426T	1-8	1-1/16	27MM	1-1/8	11/16	1-5/8	2	66.2
41427	41427T	1-8	1-1/8	29MM	1-1/2	3/4	1-3/4	2	91.3
41428	41428T	1-8	1-1/4	32MM	1-1/4	7/8	2	2	98.8
41430	41430T	1-8	1-5/16	34MM	1-1/4	15/16	2	2	102.5
41432	41432T	1-1/4-7	1-3/8	36MM	1-3/4	1-1/8	2-1/2	2-1/2	208.5

Continued on page 21

T-Slot Nuts (continued)

NEW Inch Sizes

Part No.	Tapped Through Part No.	Thread A	*English Table Slot B	**Metric Table Slot	C	D	E	F	Wt. (lbs/100 pcs)
41470	41470T	1/4-20	3/8	10MM	3/8	1/4	5/8	7/8	
41471	41471T	5/16-18	7/16	12MM	1/2	7/32	3/4	1	
41472	41472T	3/8-16	7/16	12MM	1/2	7/32	3/4	1	
41473	41473T	3/8-16	1/2	13MM	1/2	9/32	7/8	1	
41474	41474T	3/8-16	9/16	15MM	5/8	11/32	7/8	1	
41476	41476T	3/8-16	5/8	16MM	5/8	3/8	1	1	
41478	41478T	3/8-16	5/8	16MM	7/8	7/16	1-3/16	1-3/16	
41475	41475T	1/2-13	9/16	15MM	5/8	11/32	7/8	1	
41477	41477T	1/2-13	5/8	16MM	5/8	3/8	1	1	
41479	41479T	1/2-13	5/8	16MM	7/8	7/16	1-3/16	1-3/16	
41480	41480T	1/2-13	11/16	18MM	3/4	13/32	1-1/8	1-1/8	
41481	41481T	5/8-11	11/16	18MM	3/4	13/32	1-1/8	1-1/8	
41482	41482T	5/8-11	3/4	20MM	3/4	1/2	1-1/4	1-1/8	
41483	41483T	5/8-11	13/16	21MM	1	9/16	1-3/8	1-1/2	
41484	41484T	3/4-10	13/16	21MM	1	9/16	1-3/8	1-1/2	
41486	41486T	3/4-10	13/16	21MM	1	17/32	1-1/4	1-1/2	
41485	41485T	3/4-10	7/8	23MM	1	5/8	1-1/2	1-1/2	
41487	41487T	3/4-10	1	26MM	1-1/4	3/4	1-1/2	1-1/2	
41488	41488T	7/8-9	1	26MM	1-1/2	3/4	1-3/4	1-1/2	
41490	41490T	7/8-9	1-1/16	27MM	1-1/2	3/4	1-3/4	1-1/2	
41489	41489T	7/8-9	1-1/8	29MM	1-1/2	3/4	1-3/4	1-1/2	
41491	41491T	1-8	1-1/8	29MM	1-1/2	3/4	1-3/4	1-3/4	

Metric

Part No.	Tapped Through Part No.	Thread A	**Metric Table Slot	*English Table Slot B	C	D	E	F	Wt. (lbs/100pcs)
61401	61401T	M6 x 1.0	8MM	5/16	10	6	14	19	3
61402	61402T	M6 x 1.0	10MM	7/16	11	6	16	22	5
61403	61403T	M8 x 1.25	10MM	7/16	11	6	16	22	5
61404	61404T	M10 x 1.5	12MM	1/2	13	7	19	22	6
61405	61405T	M10 x 1.5	14MM	9/16	16	9	22	29	12
61406	61406T	M12 x 1.75	14MM	9/16	16	9	22	29	12
61407	61407T	M12 x 1.75	16MM	5/8	16	9	25	29	14
61408	61408T	M12 x 1.75	17MM	11/16	19	11	29	32	21
61409	61409T	M16 x 2.0	18MM	3/4	19	11	29	32	19
61410	61410T	M16 x 2.0	20MM	13/16	25	14	32	38	36
61411	61411T	M20 x 2.5	22MM	7/8	25	14	35	38	36
61412	61412T	M24 x 3.0	27MM	1-1/16	29	18	41	51	69
61413	61413T	M24 x 3.0	33MM	1-5/16	32	24	51	51	106

Stainless Steel T-Nuts

- 300 Stainless Steel
- The last thread is incomplete to prevent the stud from turning through the bottom of the nut.

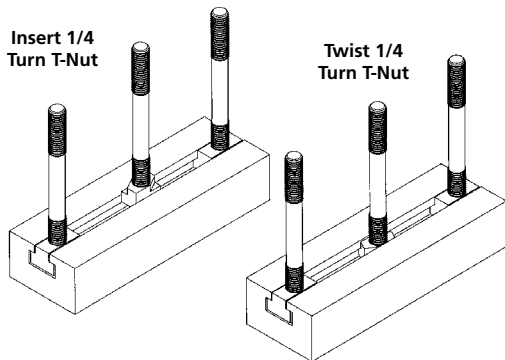
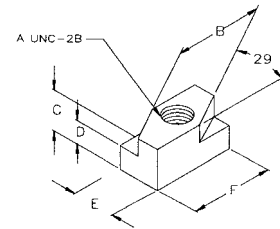


* T-Nuts are undersized to fit machine table slot.

Part No.	Thread A	*English Table Slot B	C	D	E	F	Weight (lbs/100pcs)
47401	1/4-20	5/16	1/4	3/16	1/2	9/16	3
47403	5/16-18	3/8	3/8	1/4	5/8	7/8	6
47404	3/8-16	7/16	3/8	13/64	5/8	7/8	6.5
47405	3/8-16	1/2	1/2	9/32	7/8	7/8	9
47409	1/2-13	9/16	1/2	11/32	7/8	1-1/8	12
47410	1/2-13	5/8	5/8	11/32	1	1-1/8	15
47412	1/2-13	11/16	3/4	7/16	1	1-1/4	22
47415	5/8-11	11/16	3/4	7/16	1	1-1/4	20
47416	5/8-11	3/4	3/4	15/32	1-1/4	1-1/4	23

Quarter Turn T-Slot Nuts

- Sintered Metal
- The last thread is incomplete to prevent the stud from turning through the bottom of the nut
- Special sizes quoted upon request



Part No.	Thread A	English Table Slot B	Metric Table Slot	C	D	E	F	Weight (lbs/100pcs)
41450	3/8-16	7/16	12MM	1/2	0.208	0.438	0.75	2.7
41451	3/8-16	1/2	12MM	1/2	0.271	0.500	1	4.6
41452	1/2-13	9/16	15MM	5/8	0.333	0.563	0.94	5.3
41453	1/2-13	5/8	16MM	5/8	0.333	0.625	1.25	8.9
41454	5/8-11	11/16	18MM	3/4	0.427	0.688	1.38	11.9
41455	5/8-11	3/4	20MM	3/4	0.458	0.75	1.50	15.7
41456	1/2-13	11/16	18MM	3/4	0.427	0.688	1.3	14.2
41457	3/4-10	1	26MM	1	0.615	1	1.75	33.6

Quarter Turn T-Nut Application

* Quarter Turn T-Slot Nuts are undersized to fit machine table slot

Flange Nuts

- Black oxide finish, case hardened
- 12L14 Material
- Available in Coarse or Fine Threads
- **Standard package quantity:**
41601- 41607: 25 pcs.
41701- 41707: 25 pcs.
- Many sizes conform to TCMAI standards
- Special sizes quoted upon request
- Metric: Dimension in millimeters



UNC Flange Nuts

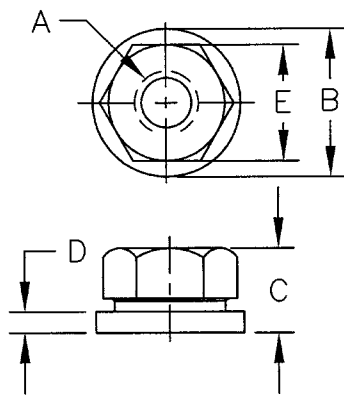
Part No.	Thread A	B	C	D	E	Weight (lbs/100pcs)
41601	1/4-20	5/8	5/16	3/32	1/2	3
41602	5/16-18	3/4	3/8	1/8	9/16	4
41603	3/8-16	7/8	1/2	1/8	11/16	5
41604	7/16-14	1	9/16	5/32	3/4	7
41605	1/2-13	1-1/8	11/16	3/16	7/8	11
41606	5/8-11	1-3/8	13/16	3/16	1-1/16	18
41607	3/4-10	1-5/8	1	1/4	1-1/4	31
41608	7/8-9	1-3/4	1-1/8	1/4	1-7/16	42
41609	1-8	2	1-1/4	1/4	1-5/8	59
41611	1-1/4 -7	2-1/2	1-1/4	1/4	1-13/16	66

UNF Flange Nuts

Part No.	Thread A	B	C	D	E	Weight (lbs/100pcs)
41701	1/4-28	5/8	5/16	3/32	1/2	3
41702	5/16-24	3/4	3/8	1/8	9/16	4
41703	3/8-24	7/8	1/2	1/8	11/16	5
41704	7/16-20	1	9/16	5/32	3/4	7
41705	1/2-20	1-1/8	11/16	3/16	7/8	11
41706	5/8-18	1-3/8	13/16	3/16	1-1/16	18
41707	3/4-16	1-5/8	1	1/4	1-1/4	31
41708	7/8-14	1-3/4	1-1/8	1/4	1-7/16	42
41709	1-14	2	1-1/4	1/4	1-5/8	59

Metric

Part No.	Thread A	B	C	D	E	Weight (lbs/100pcs)
61601	M6 x 1.0	16	8	2	10	1.8
61602	M8 x 1.25	19	10	2.5	13	2.4
61603	M10 x 1.5	22	13	3	17	3.5
61604	M12 x 1.75	27	17	4	19	9.5
61605	M16 x 2.0	33	21	5	24	16.5
61606	M20 x 2.5	40	25	6	30	29
61607	M24 x 3.0	49	32	7	36	51



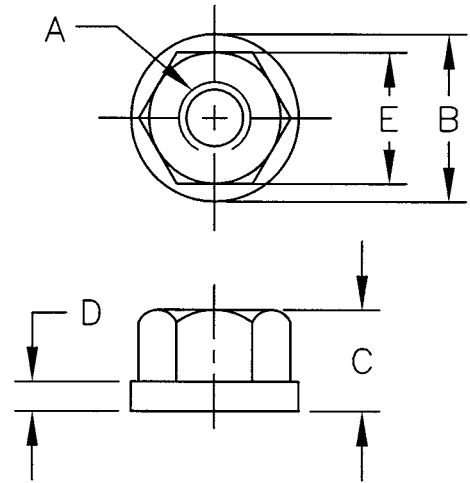
Stainless Steel Flange Nuts



- 303 Stainless Steel
- Special sizes quoted upon request

Can be used with:

- Driver Studs, page 8
- T-Bolts, pages 16
- Latch Bolts, page 18



Part No.	Thread A	B	C	D	E	Weight (lbs/100pcs)
47601	1/4-20	5/8	5/16	3/32	1/2	4
47602	5/16-18	3/4	3/8	1/8	9/16	5
47603	3/8-16	7/8	1/2	1/8	11/16	6
47604	7/16-14	1	9/16	5/32	3/4	8
47605	1/2-13	1-1/8	11/16	3/16	7/8	12
47606	5/8-11	1-3/8	13/16	3/16	1-1/16	19
47607	3/4-10	1-5/8	1	1/4	1-1/4	32
47608	7/8-9	1-3/4	1-1/8	1/4	1-7/16	43
47609	1-8	2	1-1/4	1/4	1-5/8	60
47611	1-1/4-7	2-1/2	1-1/4	1/4	1-13/16	67

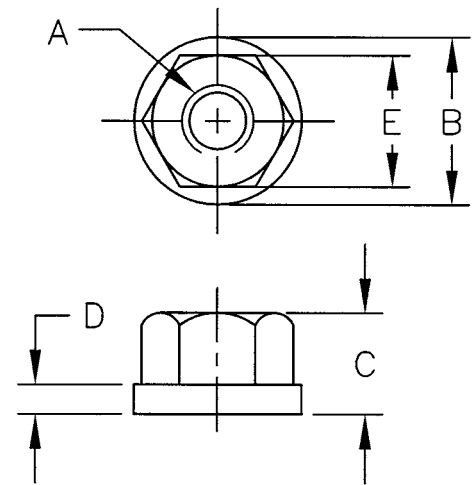
Swivel Flange Nuts



- Black oxide finish, case hardened
- 12L14 Material
- Head rotates but washer remains stationary upon contact and holds rigidly without marring the workpiece

Can be used with:

- Driver Studs, pages 8-12
- T-Slot Bolts, pages 13-15
- T-Bolts, pages 16-17

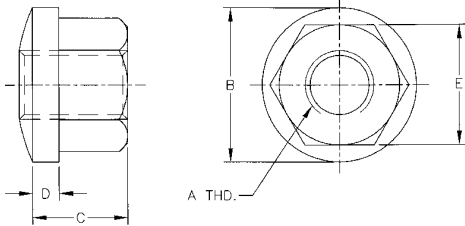


Part No.	Thread A	B	C	D	E	Weight (lbs/100pcs)
42001	1/4-20	5/8	3/8	1/8	1/2	2
42002	5/16-18	3/4	7/16	9/64	9/16	3
42003	3/8-16	7/8	17/32	5/32	11/16	4
42004	1/2-13	1-1/8	23/32	7/32	7/8	11
42005	5/8-11	1-3/8	29/32	1/4	1-1/16	18
42006	3/4-10	1-5/8	1-1/64	9/32	1-1/4	28
42007	7/8-9	1-3/4	1-1/8	7/16	1-7/16	41
42008	1-8	2	1-15/64	15/32	1-5/8	57

Spherical Flange Nuts

Stainless Steel

- Nut: 303 Stainless Steel
- Equalizes thread loads when used with Spherical Washers

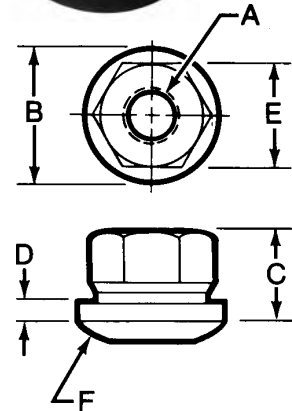


Part No.	Thread A	B	C	D	E	F	Weight (lbs/100pcs)
41821	1/4-20	5/8	5/16	3/32	1/2	3/4	2
41822	5/16-18	3/4	3/8	3/32	9/16	1	4
41823	3/8-16	7/8	1/2	1/8	11/16	1-1/4	6
41824	1/2-13	1-1/8	11/16	5/32	7/8	1-1/2	8
41825	5/8-11	1-3/8	13/16	3/16	1-1/16	1-3/4	13
41826	3/4-10	1-5/8	1	1/4	1-1/4	2-1/4	20

For spherical washers, see pgs. 28-29

Steel

- Black Oxide Finish and Case Hardened
- 12L14 Material
- Many sizes conform to TCMAI standards
- When used with Spherical Washers Flange Nuts will equalize thread loads
- Standard package quantity:
41801- 41807: 25 pcs.



Part No.	Thread A	B	C	D	E	F	Weight (lbs/100pcs)
41801	1/4-20	5/8	5/16	3/32	1/2	3/4	2
41802	5/16-18	3/4	3/8	1/8	9/16	1-1/4	4
41803	3/8-16	7/8	1/2	1/8	11/16	1-1/4	6
41804	7/16-14	1	9/16	5/32	3/4	1-1/2	8
41805	1/2-13	1-1/8	11/16	3/16	7/8	1-1/2	13
41806	5/8-11	1-3/8	13/16	3/16	1-1/16	1-3/4	20
41807	3/4-10	1-5/8	1	1/4	1-1/4	2-1/4	34
41808	7/8-9	1-3/4	1-1/8	1/4	1-7/16	2-1/2	45
41809	1-8	2	1-1/4	1/4	1-5/8	2-3/4	65
41811	1-1/4-7	2-1/2	1-1/4	1/4	1-13/16	3	76

Spherical Flange Nut Assemblies

- Assemblies consist of Flange Nuts (Part Nos. 41801-41811) and Spherical Washers (Part Nos. 42741-42750)

For material information, see individual components



Part No.	Thread Size	Total Degree of Rotation	Weight (lbs/100pcs)
41901	1/4-20	5	3
41902	5/16-18	5	6
41903	3/8-16	3	8
41904	7/16-14	4	11
41905	1/2-13	2	16
41906	5/8-11	2	25
41907	3/4-10	2	43
41908	7/8-9	3	56
41909	1-8	3	77
41911	1-1/4-7	3	104

Stainless Steel Spherical Flange Nut Assemblies

- Assemblies consist of 1 Stainless Steel Flange Nut (Part Nos. 41821-41826) and 1 Female Spherical Washer (Part Nos. 47741-47745)

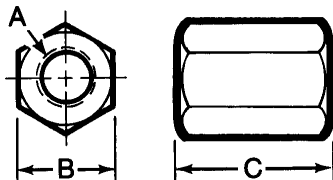
For material information, see individual components



Part No.	Thread Size	Total Degree of Rotation	Weight (lbs/100pcs)
41921	1/4-20	5	3
41922	5/16-18	5	6
41923	3/8-16	3	8
41924	1/2-13	2	11
41925	5/8-11	2	16
41926	3/4-10	2	25

Coupling (Extension) Nuts

- Low Carbon Steel Material
- Black oxide finish, case hardened
- Coupling Nuts can be used to join two or more studs for a desired length.
- Many sizes conform to TCMAI standards
- Standard package quantity: 41501-41507: 25 pcs.



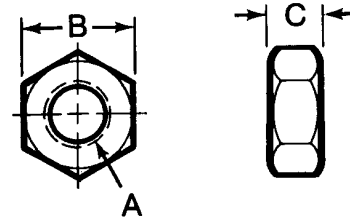
Part No.	Thread A	B	C	Weight (lbs/100pcs)
41501	1/4-20	1/2	5/8	4
41502	5/16-18	9/16	7/8	7
41503	3/8-16	11/16	1	9
41504	7/16-14	3/4	1-1/4	13
41505	1/2-13	7/8	1-1/4	18
41506	5/8-11	1-1/16	1-5/8	34
41507	3/4-10	1-1/4	1-7/8	50
41508	7/8-9	1-7/16	2-1/4	88
41509	1-8	1-5/8	2-1/2	106

Metric *Dimensions in millimeters*

Part No.	Thread A	B	C	Weight (lbs/100pcs)
61501	M6 x 1.00	13	16	3
61502	M8 x 1.25	14	19	4.6
61503	M10 x 1.5	16	24	9
61504	M12 x 1.75	22	32	18
61505	M16 x 2.0	27	40	30
61506	M20 x 2.5	32	51	52
61507	M24 x 3.0	38	64	94

Heavy Hex Nuts

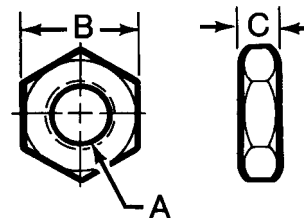
- Black Oxide Finish
- High Grade Alloy Steel
- Will outlast ordinary Hex Nuts when used in repetitive operations
- Standard package quantity: 25 pcs.



Part No.	Thread A	B	C	Weight (lbs/100pcs)
42101	1/4-20	1/2	15/64	1
42102	5/16-18	9/16	19/64	2
42103	3/8-16	11/16	23/64	4
42104	7/16-14	3/4	27/64	5
42105	1/2-13	7/8	31/64	6
42106	5/8-11	1-1/16	39/64	11
42107	3/4-10	1-1/4	47/64	19
42108	7/8-9	1-7/16	55/64	26
42109	1-8	1-5/8	63/64	40

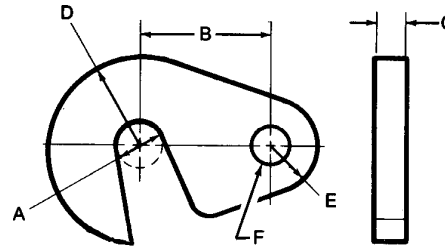
Heavy Hex Jam Nuts

- Black oxide finish, case hardened
- High Grade Alloy Steel
- Will outlast ordinary Hex Jam Nuts when used in repetitive operations
- Standard package quantity: 25 pcs.



Part No.	Thread A	B	C	Weight (lbs/100pcs)
42201	1/4-20	1/2	11/64	1
42202	5/16-18	9/16	13/64	1
42203	3/8-16	11/16	15/64	2
42204	7/16-14	3/4	17/64	3
42205	1/2-13	7/8	19/64	3
42206	5/8-11	1-1/16	23/64	7
42207	3/4-10	1-1/4	27/64	11
42208	7/8-9	1-7/16	31/64	16
42209	1-8	1-5/8	35/64	20

Swing "C" Washers

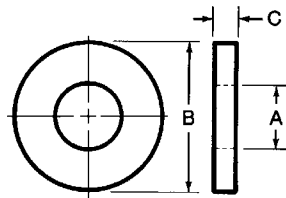


- Black Oxide Finish
- Case Hardened
- 1144 Material
- Shoulder screw furnished with each washer
- Shoulder diameter of the screw allows pivotal motion

Part No.	A	B	C	D	E	F	Shoulder Screw Size	Weight (lbs/100pcs)
42850	13/32	1	1/4	3/4	3/8	3/8	5/16-18	15
42851	17/32	1-1/4	5/16	1	1/2	3/8	5/16-18	33
42852	21/32	1-1/2	3/8	1-1/8	9/16	1/2	3/8-16	49
42853	25/32	1-3/4	1/2	1-1/4	5/8	1/2	3/8-16	74

Hardened Flat Washers

- Black Oxide Finish and Case Hardened (steel washers only)
- Material: C1010 Steel or 303 Stainless Steel
- Many sizes conform to TCMAI standards
- Large quantities quoted upon request



English

Steel Part No.	Stainless Steel Part No.	Stud Size	A	B	C	Weight (lbs/100pcs)
42600	42660	#10	13/64	1/2	3/32	0.5
42601	42661	1/4	9/32	5/8	1/8	1
42602	42662	5/16	11/32	3/4	1/8	2
42603	42663	3/8	13/32	7/8	1/8	2
42604	42664	7/16	15/32	1	1/8	3
42605	42665	1/2	17/32	1-1/8	1/8	3
42606	42666	5/8	21/32	1-3/8	1/8	4
42607	42667	3/4	25/32	1-5/8	5/32	8
42608	42668	7/8	29/32	1-3/4	5/32	8
42609	42669	1	1-1/32	2	3/16	12
42610	42670	1-1/8	1-5/32	2-1/4	7/32	19
42611	42671	1-1/4	1-9/32	2-1/2	9/32	28
42612	42672	#4	1/8	5/16	5/64	0.5
42613	42673	#6	5/32	3/8	5/64	0.5
42614	42674	#8	3/16	7/16	5/64	0.5

Metric

Part No.	Stud Size	A	B	C	Weight (lbs/100pcs)
63601	M6	7	16	3	1
63602	M8	9	19	3	2
63603	M10	11	22	3	3
63605	M12	13	29	3	3
63606	M16	17	35	3	4
63608	M20	22	44	5	8
63609	M24	26	51	4	12

Heavy Duty Hardened Flat Washers

- Black Oxide Finish
- Case Hardened
- C1010 Material
- Large quantities quoted upon request

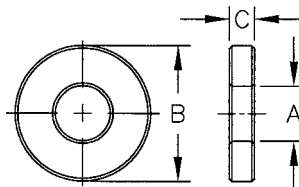


English

Part No.	Stud Size	A	B	C	Weight (lbs/100pcs)
42619	1/4	9/32	5/8	3/16	2
42620	5/16	11/32	3/4	3/16	2
42621	3/8	13/32	7/8	3/16	3
42622	7/16	15/32	1	3/16	4
42623	1/2	17/32	1-1/8	3/16	4
42624	5/8	21/32	1-3/8	3/16	6
42625	3/4	25/32	1-5/8	1/4	11
42626	7/8	29/32	1-3/4	1/4	11
42627	1	1-1/32	2	9/32	18

Metric

Part No.	Stud Size	A	B	C	Weight (lbs/100pcs)
63619	M6	7	16	5	2
63620	M8	9	19	5	2
63621	M10	11	22	5	3
63623	M12	13	29	5	4
63624	M16	17	35	5	6
63626	M20	22	44	6	12
63627	M24	26	51	7	18



Heavy Duty Hardened Flat Washer Assortment Part No. 42697

- Heavy Duty Flat Washer Assortment Contains:
 - 42621: 10 pcs.
 - 42623: 10 pcs.
 - 42624: 10 pcs.
 - 42625: 10 pcs.
 - 1 Holder
 - 4 Holder Pins
- For material information, see individual components.

Metric Heavy Duty Hardened Flat Washer Assortment Part No. 63697

- Metric Heavy Duty Flat Washer Assortment Contains:
 - 63621: 10 pcs.
 - 63623: 10 pcs.
 - 63624: 10 pcs.
 - 63626: 10 pcs.
 - 1 Holder
 - 4 Holder Pins
- For material information, see individual components.

Hardened Flat Washer Assortment Part No. 42699

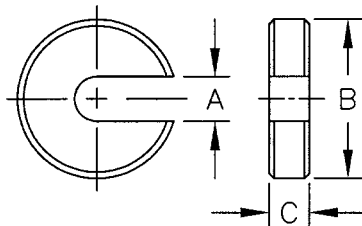
- Flat Washer Assortment Contains:
 - 42601: 50 pcs.
 - 42603: 50 pcs.
 - 42605: 25 pcs.
 - 42606: 25 pcs.
 - 42607: 12 pcs.
 - 42609: 12 pcs.
 - 1 Holder
 - 8 Holder Pins
- For material information, see individual components.



Metric Hardened Flat Washer Assortment Part No. 63699

- Metric Flat Washer Assortment Contains:
 - 63601: 50 pcs.
 - 63602: 50 pcs.
 - 63605: 25 pcs.
 - 63606: 25 pcs.
 - 63608: 12 pcs.
 - 63609: 12 pcs.
 - 1 Holder
 - 8 Holder Pins
- For material information, see individual components.

"C" Washers



- Black Oxide Finish
- Case Hardened
- 1018 Material: 42801, 08, 09
- 12L14 Material: 42802, 06, 07, 13, 14, 17, 20
- Many sizes conform to TCMAI standards

Part No.	Stud Size	A	B	C	Weight (lbs/100pcs)
42801	3/16-1/4	9/32	3/4	1/4	2
42802	3/16-1/4	9/32	1	1/4	5
42806	5/16	11/32	1-1/4	5/16	10
42807	5/16-3/8	13/32	1-1/4	3/8	10
42808	5/16-3/8	13/32	1-1/2	3/8	15
42809	5/16-3/8	13/32	1-3/4	3/8	20
42813	7/16-1/2	17/32	1-7/8	3/8	24
42814	7/16-1/2	17/32	2-1/4	3/8	35
42817	5/8	21/32	2-1/8	3/8	29
42820	3/4	25/32	2-1/2	7/16	44

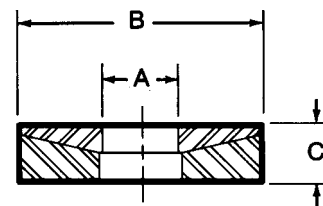
Spherical Washers – Steel

- Black Oxide Finish
- Case Hardened
- Material: 12L14 steel
- Tops and bottoms also sold separately
- Reduces stress on threads
- Bottom Washer can be used with Spherical Flange Nuts
- Compensates for slight misalignment between the workpiece and strap clamp
- Many sizes conform to TCMAI standards
- Special sizes quoted upon request



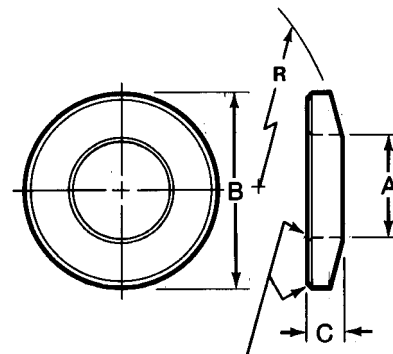
Assemblies

Steel Part No.	Male Part No. A	Female Part No. B	Stud Size	Ref. C	Total Degree of Rotation	Weight (lbs/100pcs)
42701	42721	42741	3/16 and 1/4	3/16	8 and 5	1
42702	42722	42742	5/16 and 3/8	1/4	5 and 3	4
42703	42723	42743	7/16 and 1/2	5/16	4 and 2	8
42704	42724	42744	5/8	5/16	2	10
42705	42725	42745	3/4	3/8	3	17
42706	42726	42746	7/8	3/8	3	18
42707	42727	42747	1	1/2	3	34
42708	42728	42748	1-1/8	1/2	3	38
42709	42729	42749	1-1/4	1/2	3	50
42710	42730	42750	1-1/2	1/2	3	80



Male (Top) Spherical Washers

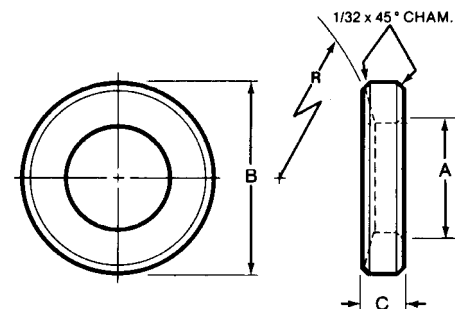
Steel Part No.	Stud Size	A	B	+0.000 -0.005 C	Rad. R	Total Weight (lbs/100pcs)
42721	3/16 and 1/4	9/32	5/8	.120	3/4	1
42722	5/16 and 3/8	13/32	7/8	.130	1-1/4	1
42723	7/16 and 1/2	17/32	1-1/8	.188	1-1/2	3
42724	5/8	21/32	1-3/8	.188	1-3/4	4
42725	3/4	25/32	1-5/8	.219	2-1/4	7
42726	7/8	15/16	1-3/4	.240	2-1/2	9
42727	1	1-1/16	2	.330	2-3/4	17
42728	1-1/8	1-3/16	2-1/4	.281	3	16
42729	1-1/4	1-5/16	2-1/2	.312	3	22
42730	1-1/2	1-9/16	2-7/8	.350	3	28



1/32 x 45° CHAM.

Female (Bottom) Spherical Washers

Steel Part No.	Stud Size	A	B	+0.000 -0.005 C	Rad. R	Total Weight (lbs/100pcs)
42741	3/16 and 1/4	5/16	5/8	.120	3/4	1
42742	5/16 and 3/8	7/16	7/8	.156	1-1/4	2
42743	7/16 and 1/2	9/16	1-1/8	.188	1-1/2	3
42744	5/8	11/16	1-3/8	.219	1-3/4	5
42745	3/4	13/16	1-5/8	.265	2-1/4	10
42746	7/8	1	1-3/4	.240	2-1/2	9
42747	1	1-1/8	2	.290	2-3/4	14
42748	1-1/8	1-1/4	2-1/4	.350	3	22
42749	1-1/4	1-3/8	2-1/2	.375	3	28
42750	1-1/2	1-5/8	2-7/8	.390	3	35



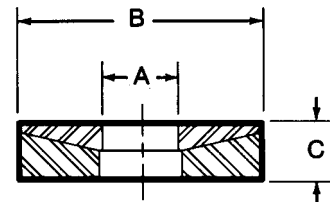
Spherical Washers – Stainless Steel

- Material: 303 stainless steel
- Tops and bottoms also sold separately
- Reduces stress on threads
- Bottom Washer can be used with Spherical Flange Nuts
- Compensates for slight misalignment between the workpiece and strap clamp
- Many sizes conform to TCMAI standards
- Special sizes quoted upon request



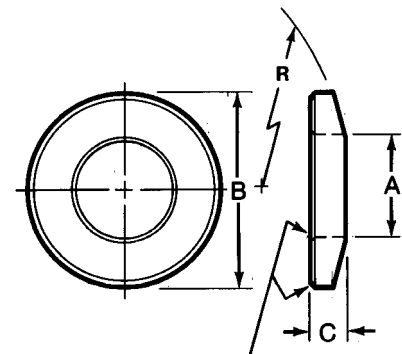
Assemblies

Stainless Steel Part No.	Male Part No. A	Female Part No. B	Stud Size	Ref. C	Total Degree of Rotation	Weight (lbs/100pcs)
47701	47721	47741	1/4	3/16	8	1
47702	47722	47742	3/8	1/4	5	4
47703	47723	47743	1/2	5/16	2	8
47704	47724	47744	5/8	5/16	2	10
47705	47725	47745	3/4	3/8	3	17



Male (Top) Spherical Washers

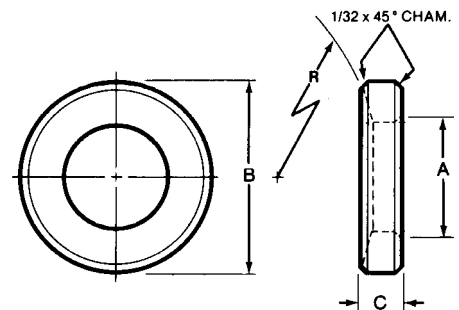
Stainless Steel Part No.	Stud Size	A	B	+0.000 -.005 C	Rad. R	Total Weight (lbs/100pcs)
47721	1/4	9/32	5/8	1/8	3/4	1
47722	3/8	13/32	7/8	11/64	1-1/4	1
47723	1/2	17/32	1-1/8	13/64	1-1/2	3
47724	5/8	21/32	1-3/8	13/64	1-3/4	4
47725	3/4	25/32	1-5/8	1/4	2-1/4	7



1/32 x 45° CHAM.

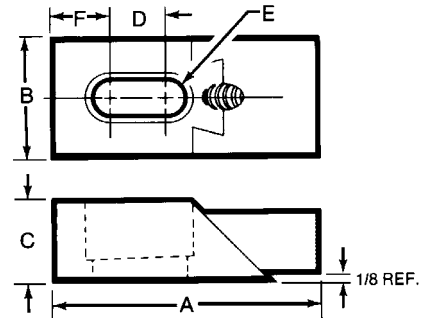
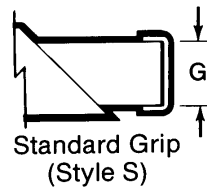
Female (Bottom) Spherical Washers

Stainless Steel Part No.	Stud Size	A	B	+0.000 -.005 C	Rad. R	Total Weight (lbs/100pcs)
47741	1/4	9/32	5/8	1/8	3/4	1
47742	3/8	13/32	7/8	11/64	1-1/4	2
47743	1/2	17/32	1-1/8	7/32	1-1/2	3
47744	5/8	21/32	1-3/8	7/32	1-3/4	5
47745	3/4	25/32	1-5/8	1/4	2-1/4	10



Nuzzler® Edge Clamps: Standard Grip

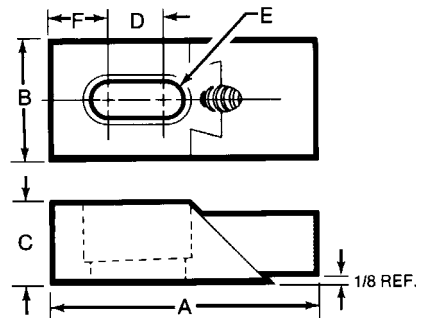
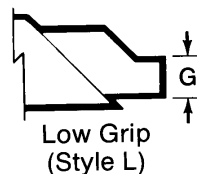
- Clamp Material: 1018 Steel
- Black Oxide Finish
- Features a double action, adjustable nose which exerts clamping pressures both downward and inward through a 45 degree angle.
- Noses have serrations for better gripping of non-finished or semi-finished workpieces
- Tapered slots prevent clamp from sliding off the workpiece during tightening
- Length "A" is calculated with nose raised 1/8"
- Clamp Washer is included with each Edge Clamp
- Standard Grip includes removable aluminum nose cap, which prevents damage to your workpiece



Part No.	A	Nose Style	B	C	D	Bolt Size E	F	G	Wrench Size	Wt. (lbs/100pcs)
33818	1-7/8	S	1	5/8	1/4	5/16	13/32	5/8	5/32	30
33820	2-3/8	S	1	5/8	3/4	5/16	5/16	5/8	5/32	35
33822	2-7/8	S	1	5/8	1-1/4	5/16	5/16	5/8	5/32	40
33802	2-5/16	S	1-1/4	5/8	3/8	3/8	7/16	5/8	3/16	43
33891	2-3/4	S	1-1/4	5/8	11/16	3/8	1/2	5/8	3/16	49
33806	3-5/16	S	1-1/2	3/4	3/4	1/2	11/16	3/4	1/4	88
33711	3-5/16	S	1-1/2	3/4	5/8	5/8	11/16	3/4	1/4	88
33824	3-7/8	S	1-1/2	7/8	1-1/4	1/2	1/2	7/8	1/4	112
33715	3-7/8	S	1-1/2	7/8	1-1/4	5/8	1/2	7/8	1/4	112
33804	4-1/8	S	1-1/4	5/8	2	3/8	11/16	5/8	3/16	73
33893	4-11/16	S	1-1/4	5/8	2-3/16	3/8	15/16	5/8	3/16	76
33808	5-3/16	S	1-1/2	3/4	2-1/2	1/2	5/8	3/4	1/4	123
33713	5-3/16	S	1-1/2	3/4	2-1/2	5/8	5/8	3/4	1/4	123
33826	5-5/16	S	1-1/2	7/8	2	1/2	7/8	7/8	1/4	155
33717	5-5/16	S	1-1/2	7/8	2	5/8	7/8	7/8	1/4	155
33810	5-13/16	S	1-1/2	1-1/4	2-1/4	1/2	1-1/16	3/4	1/4	216
33813	7-1/8	S	1-1/2	1-1/4	3-5/16	1/2	1-3/16	3/4	1/4	255
33828	7-1/4	S	1-1/2	7/8	3	1/2	1-3/8	7/8	1/4	205

Nuzzler® Edge Clamps: Low Grip

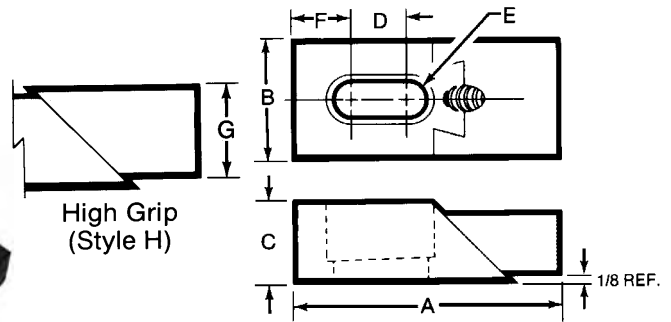
- Clamp Material: 1018 Steel
- Black Oxide Finish
- Features a double action, adjustable nose which exerts clamping pressures both downward and inward through a 45 degree angle.
- Noses have serrations for better gripping of non-finished or semi-finished workpieces
- Tapered slots prevent clamp from sliding off the workpiece during tightening
- Length "A" is calculated with nose raised 1/8"
- Low Profile Nose provides a greater machining clearance
- Clamp Washer is included with each Edge Clamp



Part No.	A	Nose Style	B	C	D	Bolt Size E	F	G	Wrench Size	Wt. (lbs/100pcs)
33817	1-7/8	L	1	5/8	1/4	5/16	13/32	1/8	5/32	25
33819	2-3/8	L	1	5/8	3/4	5/16	5/16	1/8	5/32	29
33821	2-7/8	L	1	5/8	1-1/4	5/16	5/16	1/8	5/32	35
33801	2-5/16	L	1-1/4	5/8	3/8	3/8	7/16	1/4	3/16	38
33890	2-3/4	L	1-1/4	5/8	11/16	3/8	1/2	1/4	3/16	44
33805	3-5/16	L	1-1/2	3/4	3/4	1/2	11/16	3/8	1/4	81
33710	3-5/16	L	1-1/2	3/4	5/8	5/8	11/16	3/8	1/4	81
33823	3-7/8	L	1-1/2	7/8	1-1/4	1/2	1/2	1/4	1/4	100
33714	3-7/8	L	1-1/2	7/8	1-1/4	5/8	1/2	1/4	1/4	100
33803	4-1/8	L	1-1/4	5/8	2	3/8	11/16	1/4	3/16	63
33892	4-11/16	L	1-1/4	5/8	2-3/16	3/8	15/16	1/4	3/16	73
33807	5-3/16	L	1-1/2	3/4	2-1/2	1/2	5/8	3/8	1/4	117
33712	5-3/16	L	1-1/2	3/4	2-1/2	5/8	5/8	3/8	1/4	117
33829	5-1/4	L	2	1-1/4	1-3/8	3/4	27/32	3/8	5/16	235
33825	5-5/16	L	1-1/2	7/8	2	1/2	7/8	1/4	1/4	141
33716	5-5/16	L	1-1/2	7/8	2	5/8	7/8	1/4	1/4	141
33809	5-13/16	L	1-1/2	1-1/4	2-1/4	1/2	1-1/16	3/8	1/4	207
33812	7-1/8	L	1-1/2	1-1/4	3-5/16	1/2	1-3/16	3/8	1/4	252
33827	7-1/4	L	1-1/2	7/8	3	1/2	1-3/8	1/4	1/4	189

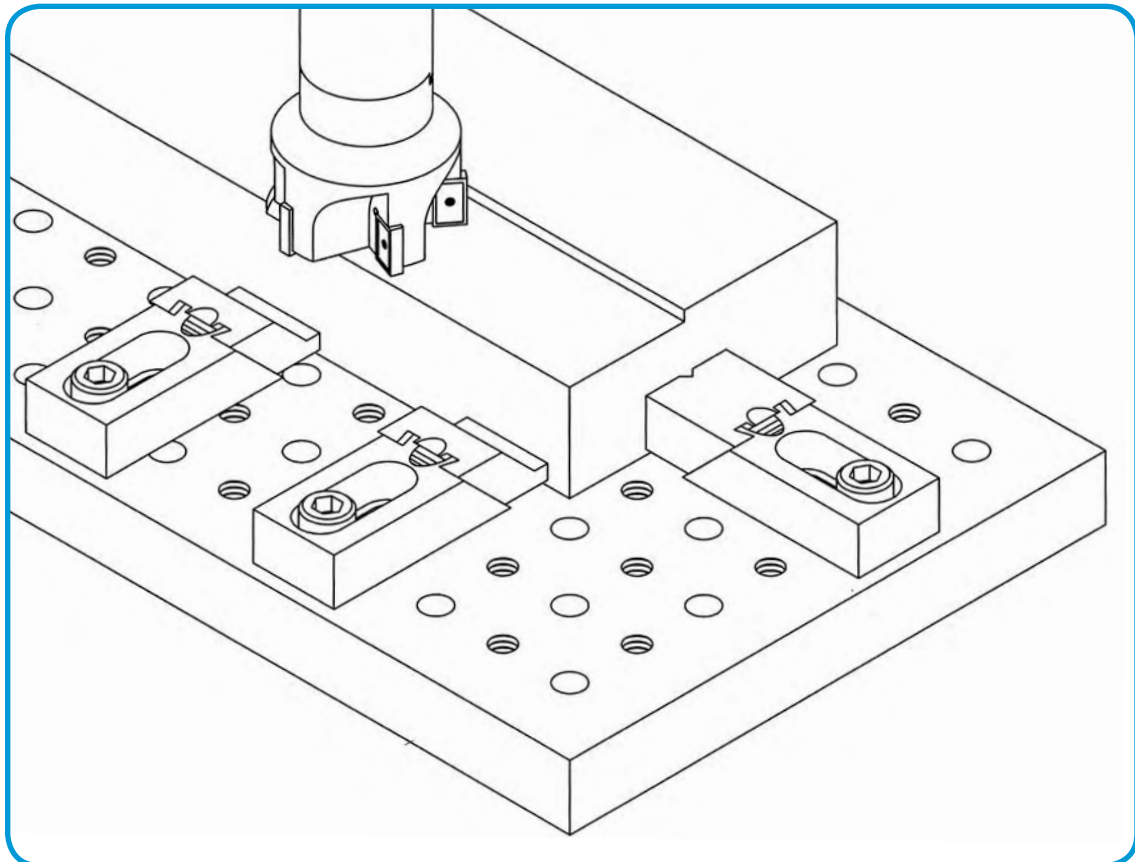
Nuzzler® Edge Clamps: High Grip

- Clamp Material: 1018 Steel
- Black Oxide Finish
- Features a double action, adjustable nose which exerts clamping pressures both downward and inward through a 45 degree angle.
- Noses have serrations for better gripping of non-finished or semi-finished workpieces
- Tapered slots prevent clamp from sliding off the work-piece during tightening
- Length "A" is calculated with nose raised 1/8"
- Clamp Washer is included with each Edge Clamp



Part No.	A	Nose Style	B	C	D	Bolt Size E	F	G	Wrench Size	Wt. (lbs/100pcs)
33815	5-1/4	H	2	1-1/4	1-3/8	3/4	27/32	1-1/4	5/16	296
33811	6-1/8	H	1-1/2	1-1/4	2-1/4	1/2	1-1/16	1	1/4	240
33816	6-7/16	H	2-1/2	1-1/2	2	7/8	15/16	1-1/2	1/2	541
33814	7-3/8	H	1-1/2	1-1/4	3-5/16	1/2	1-3/16	1	1/4	286

Nuzzler® Edge Clamps: Application



Nuzzler® Edge Clamp Kits: Small

Kit Contains:

- 4 Low Grip Clamps
- 4 Standard Grip Clamps
- 4 T-Slot Nuts
- 8 Washers
- 1 T-Handle Wrench
- 1 Holder

• For material information, see individual components



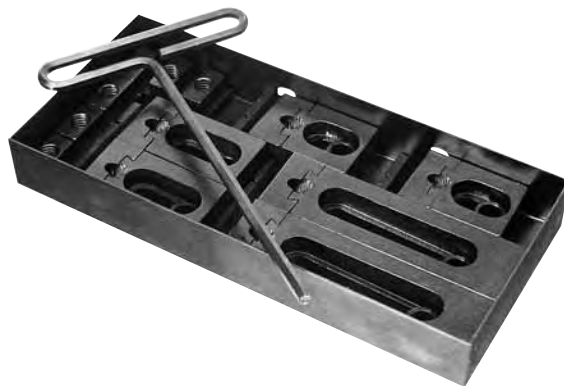
Part No.	Edge Clamps 2 Each	T-Slot Nut No.	Table Slot Size	Socket Cap Screw Size	Weight Per Kit
23800	33817-33818 33821-33822	41403T	3/8	5/16	5
23801	33817-33818 33821-33822	41433T	7/16	5/16	5
23802	33817-33818 33821-33822	41434T	1/2	5/16	5
23803	33801-33802 33803-33804	41404T	7/16	3/8	5
23804	33801-33802 33803-33804	41405T	1/2	3/8	5
23805	33801-33802 33803-33804	41406T	9/16	3/8	5
23806	33805-33806 33807-33808	41409T	9/16	1/2	10
23807	33805-33806 33807-33808	41410T	5/8	1/2	10
23808	33805-33806 33807-33808	41412T	11/16	1/2	10

Nuzzler® Edge Clamp Kits: Large

Kit Contains:

- 6 Low Grip Clamps
- 6 T-Slot Nuts
- 6 Washers
- 1 T-Handle Wrench
- 1 Holder

• For material information, see individual components



Part No.	Edge Clamps 2 Each	T-Slot Nut No.	Table Slot Size	Socket Cap Screw Size	Weight Per Kit
23809	33817-33819-33821	41403T	3/8	5/16	10
23810	33817-33819-33821	41433T	7/16	5/16	10
23811	33817-33819-33821	41434T	1/2	5/16	10
23812	33801-33890-33892	41404T	7/16	3/8	10
23813	33801-33890-33892	41405T	1/2	3/8	10
23814	33801-33890-33892	41406T	9/16	3/8	10
23815	33823-33825-33827	41409T	9/16	1/2	11
23816	33823-33825-33827	41410T	5/8	1/2	11
23817	33823-33825-33827	41412T	11/16	1/2	11

Nuzzler® Edge Clamp Accessories

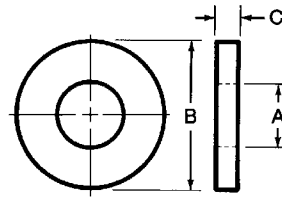
Aluminum Nose Cap

- Prevents damage to workpiece
- For standard grip clamps only



Part No.	Height	Width	Fits Clamp Number	Weight (lbs/100pcs)
33852	5/8	1	33818-33820-33822	1
33850	5/8	1-1/4	33802-33804-33891 33893	1
33851	3/4	1-1/2	33806-33808-33810 33813	1
33853	7/8	1-1/2	33824-33826-33828	

Clamp Washers



Part No.	A	B	C
33720	.410	.74	.125
33721	.530	.88	.125
33722	.780	1.25	.156
33723	.910	1.50	.156
33724	.340	.62	.125
33725	.660	1.10	.125

T-Handle Wrenches



Part No.	Wrench Hex Size	Adj. Screw Size	Fits Clamp Number	Weight (lbs/100pcs)
33884	5/32	5/16-18	33817-33818-33819 33820-33821-33822	7
33880	3/16	3/8-16	33801-33802-33803 33804-33890-33891 33892-33893	12
33881	1/4	1/2-13	33805-33806-33807 33808-33809-33810 33811-33812-33813 33814-33823-33824 33825-33827 33828	20
33882	5/16	5/8-11	33815-33829	42
33883	1/2	7/8-9	33816	145

Adjustment Screws

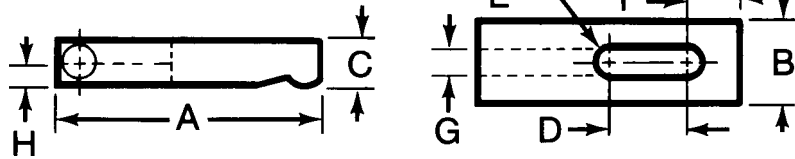
- Alloy Steel Material
- Black Oxide Finish



Part No.	Thread	Wrench Hex Size	Fits Clamp Number	Weight (lbs/100pcs)
33865	5/16-18	5/32	33817-33818-33819 33820-33821-33822	2
33864	3/8-16	3/16	33801-33802-33803 33804-33890-33891 33892-33893	1
33861	1/2-13	1/4	33811-33814-33823 33824-33825-33826 33827-33828 33805-33806-33807 33808-33809-33810 33812-33813	2
33862	5/8-11	5/16	33815-33829	2
33863	7/8-9	1/2	33816	10

Center Clamps

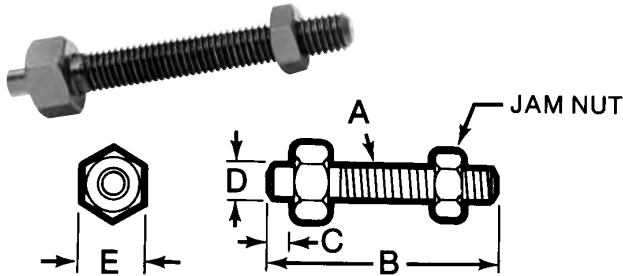
- Material: 1018 Steel
- Case Hardened, Black Oxide Finish
- See Clamp Rest below to place in center groove
- Finger grips on both sides



Part No.	A	B	C	D	Stud Size E	F	G	H	Wt. (lbs/100pcs)
30102	2-1/2	5/8	3/8	3/4	1/4	1/2	3/16	1/8	16
30103	4	1-1/4	5/8	1-1/4	1/2	3/4	3/8	9/32	65
30105	5	1-1/4	5/8	1-3/4	1/2	3/4	3/8	9/32	81
30106	5-1/2	1-1/4	5/8	2	1/2	3/4	3/8	9/32	93
30107	6	1-1/4	5/8	2-1/4	1/2	3/4	3/8	9/32	109
30108	4-1/2	1-1/2	3/4	1-3/8	5/8	7/8	1/2	9/32	116
30109	5	1-1/2	3/4	1-5/8	5/8	7/8	1/2	9/32	228

Clamp Rest

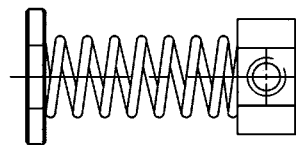
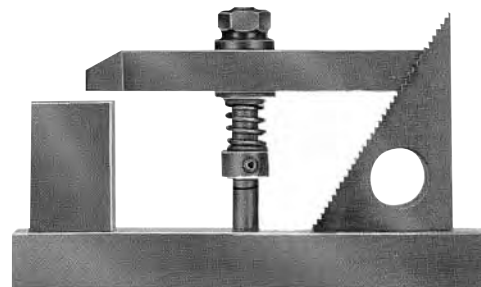
- Material: Low Carbon Steel
- Screw Case Hardened, Black Oxide Finish.
- Many sizes conform to TCMAI standards
- Clamp Rests can be used with Center Clamps



Part No.	A	B	C	D	E	Wt. (lbs/100pcs)
44001	1/4-20	1-1/4	1/8	5/32	7/16	4
44002	3/8-16	2-1/4	7/32	11/32	9/16	12
44003	1/2-13	2-3/8	1/4	11/32	11/16	41
44004	1/2-13	3-7/8	1/4	11/32	11/16	30
44006	5/8-11	3-7/8	1/4	15/32	7/8	39
44008	3/4-10	3-7/8	1/4	15/32	1-1/16	78
44009	5/16-18	1-7/8	3/16	7/32	1/2	5
44010	5/16-18	2-1/4	3/16	7/32	1/2	5.5

Clamp Supports

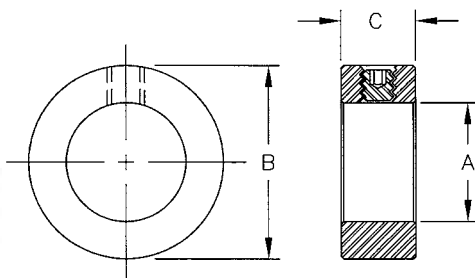
- Includes Washer, Spring and Shaft Collar
- Black Oxide Finish on washer only



Part No.	Stud Size	Weight (lbs/kit)
50801	1/4	4
50802	5/16	4
50803	3/8	8
50804	1/2	12
50805	5/8	19
50806	3/4	26
50808	1	31

Shaft Collars

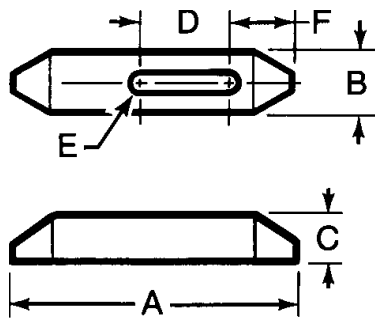
- Material: 12L14 Steel
- Zinc Plated
- Set screw draws collar to stud



Part No.	A	B	C	Set Screw Thread	Weight (lbs/100pcs)
50901	1/4	1/2	9/32	10-32	1
50902	5/16	5/8	11/32	10-32	1
50903	3/8	3/4	3/8	1/4-20	2
50904	1/2	1	7/16	1/4-20	2
50905	5/8	1-1/8	1/2	5/16-18	6
50906	3/4	1-1/4	9/16	5/16-18	7
50908	1	1-5/8	5/8	5/16-18	3

Plain Clamps

- Tapered nose allows clamping in small areas
- Case Hardened
- Black Oxide Finish
- Material: 1018 Steel



English

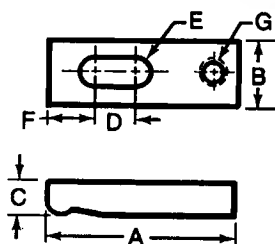
Part No.	A	B	C	D	Stud Size E	F	Wt. (lbs/100pcs)
30401	2-1/2	1	1/2	13/16	5/16 and 3/8	27/32	24
30402	4	1	5/8	1-7/16	5/16 and 3/8	1-1/32	48
30403	6	1-1/8	3/4	2-3/16	5/16 and 3/8	1-5/32	105
30404	2-1/2	1-1/8	1/2	11/16	1/2	29/32	24
30405	4	1-1/4	3/4	1-5/16	1/2	1-5/32	67
30406	6	1-1/4	7/8	2-1/16	1/2	1-9/32	37
30407	2-1/2	1-1/4	5/8	9/16	5/8	31/32	31
30408	4	1-1/2	3/4	1-3/16	5/8	1-9/32	83
30409	6	1-1/2	7/8	1-15/16	5/8	1-13/32	150
30410	4	1-1/2	3/4	1-1/16	3/4	1-11/32	75
30411	6	1-1/2	1	1-15/16	3/4	1-15/32	164
30412	8	1-3/4	1-1/8	2-3/16	3/4	1-29/32	321
30413	6	2	1-1/4	1-11/16	7/8 and 1	1-27/32	274
30414	8	2	1-3/8	1-15/16	7/8 and 1	2-1/32	425
30415	10	2	1-1/2	2-15/16	7/8 and 1	2-1/32	618

Metric Dimensions in millimeters

Part No.	A	B	C	D	Stud Size E	F	Wt. (lbs/100pcs)
30401M	64	25	13	21	M6-M8-M10	21	24
30402M	102	25	16	37	M6-M8-M10	26	48
30403M	152	29	19	56	M6-M8-M10	29	105
30404M	64	29	13	18	M12	23	24
30405M	102	32	16	33	M12	29	67
30406M	152	32	19	52	M12	29	37
30407M	64	32	16	14	M16	25	31
30408M	102	38	19	30	M16	31	83
30409M	152	38	22	49	M16	34	150
30410M	102	38	19	27	M20	33	75
30411M	152	38	25	49	M20	37	164
30412M	203	45	29	56	M20	48	321
30413M	152	51	32	43	M24	44	274
30414M	203	51	35	49	M24	52	425
30415M	254	51	38	75	M24	52	618

Tapped End Clamps

- Material: 1018 Steel
- Case Hardened
- Black Oxide Finish



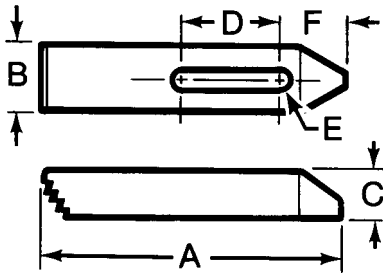
Part No.	A	B	C	D	Stud Size E	F	G	Wt. (lbs/100pcs)
30902	2	5/8	3/8	1/2	1/4	7/16	1/4-20	10
30903	2-1/2	5/8	3/8	1/2	1/4	9/16	1/4-20	14
30905	2-3/4	1	1/2	7/16	5/16	13/16	5/16-18	33
30906	3-1/4	1	1/2	13/16	5/16	7/8	5/16-18	39
30907	4	1	1/2	7/8	5/16	15/16	5/16-18	48
30908	3	1-1/4	5/8	3/4	3/8	9/16	3/8-16	55
30909	4	1-1/4	5/8	1	3/8	3/4	3/8-16	76
30910	5	1-1/4	5/8	1-1/2	3/8	3/4	3/8-16	94
30912	4	1-1/4	5/8	1	1/2	3/4	1/2-13	70
30913	4-1/2	1-1/4	5/8	1-1/2	1/2	13/16	1/2-13	76
30914	5	1-1/4	5/8	1-1/2	1/2	1-1/4	1/2-13	85
30916	6	1-1/4	5/8	1-1/2	1/2	2-1/4	1/2-13	114
30917	4-1/2	1-1/2	3/4	1	5/8	7/8	5/8-11	111
30918	5	1-1/2	3/4	1-1/2	5/8	15/16	5/8-11	120
30919	5-1/2	1-1/2	3/4	1-1/2	5/8	1-7/16	5/8-11	142
30920	6	1-1/2	3/4	1-1/2	5/8	2	5/8-11	152
30921	6	1-3/4	1	1-3/4	3/4	1-1/4	3/4-10	--
30922	7	1-3/4	1	2-1/4	3/4	1-1/4	3/4-10	--
30923	8	1-3/4	1	2-1/4	3/4	1-3/4	3/4-10	--

TOOLING COMPONENTS



Serrated End Clamps

- Material: 1018 Steel
- Case Hardened
- Black Oxide Finish
- Used when a workpiece fixture incorporates Step Blocks into the design
- Serrated teeth match all TE-CO Step Blocks



English

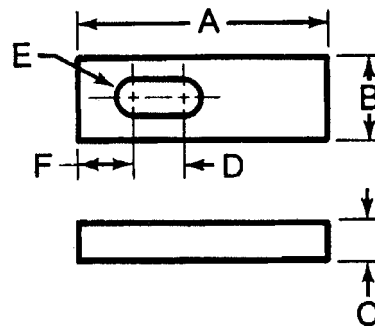
Part No.	A	B	C	D	Stud Size E	F	Weight (lbs/100pcs)
30501	2-1/2	1	1/2	13/16	1/4, 5/16 or 3/8	27/32	23
30502	4	1	5/8	1-7/16	1/4, 5/16 or 3/8	1-1/32	49
30503	6	1-1/8	3/4	2-3/16	1/4, 5/16 or 3/8	1-5/32	106
30504	2-1/2	1-1/8	1/2	11/16	1/2	29/32	27
30505	4	1-1/4	3/4	1-5/16	1/2	1-5/32	72
30506	6	1-1/4	7/8	2-1/16	1/2	1-9/32	134
30507	2-1/2	1-1/4	5/8	9/16	5/8	31/32	33
30508	4	1-1/2	3/4	1-3/16	5/8	1-9/32	87
30509	6	1-1/2	7/8	1-15/16	5/8	1-13/32	160
30510	4	1-1/2	3/4	1-1/16	3/4	1-11/32	81
30511	6	1-1/2	1	1-15/16	3/4	1-15/32	170
30512	8	1-3/4	1-1/8	2-3/16	3/4	1-29/32	330
30513	6	2	1-1/4	1-11/16	7/8 or 1	1-27/32	275
30514	8	2	1-3/8	1-15/16	7/8 or 1	2-1/32	440
30515	10	2	1-1/2	2-15/16	7/8 or 1	2-1/32	601

Metric Dimensions in millimeters

Part No.	A	B	C	D	Stud Size E	F	Wt. (lbs/100pcs)
30501M	64	25	13	21	M6-M8-M10	21	23
30502M	102	25	16	37	M6-M8-M10	26	49
30503M	152	29	19	56	M6-M8-M10	29	106
30504M	64	29	13	18	M12	23	27
30505M	102	32	16	33	M12	29	72
30506M	152	32	19	52	M12	29	134
30507M	64	32	16	14	M16	25	33
30508M	102	38	19	30	M16	31	87
30509M	152	38	22	49	M16	34	160
30510M	102	38	19	27	M20	33	81
30511M	152	38	25	49	M20	37	170
30512M	203	45	29	56	M20	48	330
30513M	152	51	32	43	M24	44	275
30514M	203	51	35	49	M24	52	440
30515M	254	51	38	75	M24	52	601

Soft Clamps

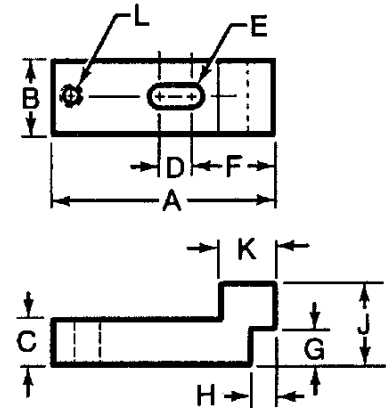
- Material: Mild Steel for easy modification
- Black Oxide Finish



Part No.	A	B	C	D	Stud Size E	F	Wt. (lbs/100pcs)
30701	6	1-1/8	3/4	2	5/16 or 3/8	1-5/32	120
30702	6	1-1/2	3/4	2	1/2	1-7/32	160
30703	6	1-1/2	7/8	2	5/8	1-9/32	179
30704	6	1-1/2	1	2	3/4	1-11/32	194

Step Clamps

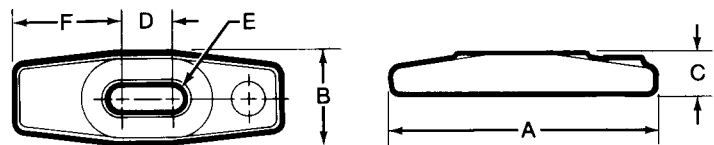
- Material: 1018 Steel
- Black Oxide Finish
- Case Hardened



Part No.	A	B	C	D	Stud Size E	F	G	H	J	K	Thread L	Weight (lbs./100 pcs.)
30801	3-1/4	1	5/8	7/8	3/8	1-3/16	1/2	1/2	1-1/8	3/4	3/8-16	50
30802	3-5/8	1-1/8	5/8	7/8	1/2	1-7/16	1/2	1/2	1-1/8	7/8	3/8-16	66
30803	3-3/4	1-1/4	3/4	7/8	5/8	1-7/16	3/4	3/8	1-3/8	3/4	3/8-16	84
30804	4-1/4	1-1/2	3/4	3/4	3/4	1-7/8	3/4	3/8	1-3/8	13/16	1/2-13	118

Forged Plain Clamps

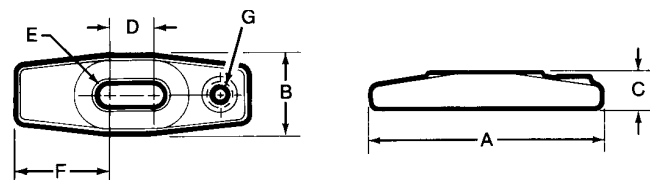
- Material: Forged high tensile carbon steel
- Black Oxide Finish



Part No.	A	B	C	D	Stud Size E	F	Wt. (lbs/100pcs)
33901	4	1-5/8	3/4	11/16	5/8 or 1/2	1-21/32	86
33902	6	1-3/4	7/8	1-3/8	5/8 or 1/2	2-5/16	173
33903	8	2-1/8	1-1/8	2	3/4	2-31/32	366
33904	10	2-1/2	1-3/8	2-3/4	7/8	3-5/8	657

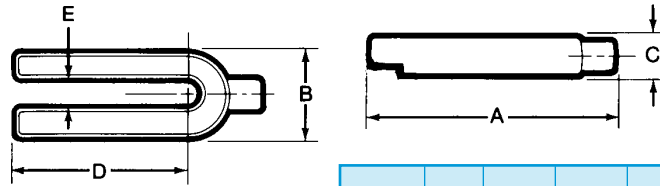
Forged Tapped Plain Clamps

- Material: Forged high tensile carbon steel
- Black Oxide Finish



Part No.	A	B	C	D	Stud Size E	F	Tap G	Wt. (lbs/100pcs)
33911	4	1-5/8	3/4	11/16	5/8 or 1/2	1-21/32	1/2-13	82
33912	6	1-3/4	7/8	1-3/8	5/8 or 1/2	2-5/16	5/8-11	168
33913	8	2-1/8	1-1/8	2	3/4	2-31/32	3/4-10	360
33914	10	2-1/2	1-3/8	2-3/4	7/8	3-5/8	7/8-9	630

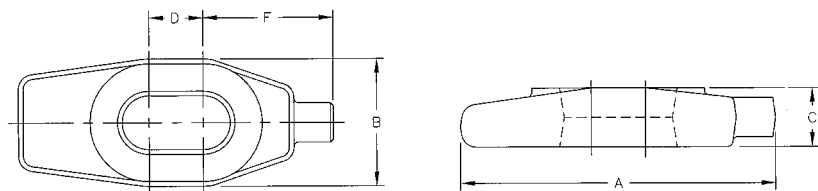
Forged "U" Clamps



- Material: Forged high tensile carbon steel
- Black Oxide Finish

Part No.	A	B	C	D	Stud Size E	Wt. (lbs/100pcs)
33920	4	1-3/4	3/4	2-9/16	5/8 or 1/2	86
33921	6	2	7/8	4-5/16	5/8 or 1/2	193
33922	8	2-3/8	1-1/8	6	3/4	400
33923	10	2-3/4	1-1/4	7-11/16	7/8	638
33924	12	3-1/4	1-3/8	9-5/16	1	798

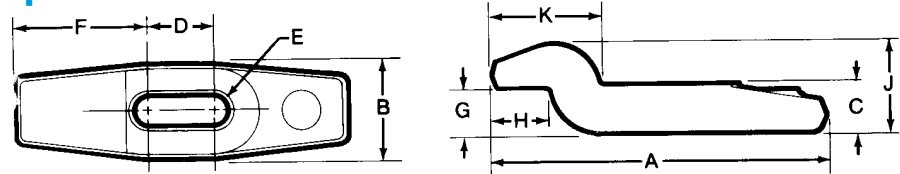
Forged Finger-Tip Clamps



- Material: Forged high tensile carbon steel
- Black Oxide Finish

Part No.	A	B	C	D	Stud Size E	F	Wt. (lbs/100pcs)
33930	4	1-5/8	3/4	11/16	5/8 or 1/2	1-21/32	71
33931	6	1-3/4	7/8	1-1/4	5/8 or 1/2	2-3/8	151
33932	8	2-1/8	1-1/8	1-3/4	3/4	3-1/8	304

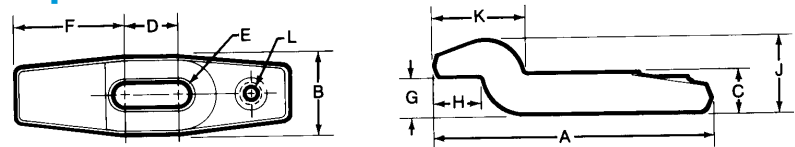
Forged Gooseneck Clamps



- Material:
Forged high tensile carbon steel
- Black Oxide Finish

Part No.	A	B	C	D	Stud Size E	F	G	H	J	K	Wt. (lbs/100pcs)
33940	4	1-5/8	3/4	1/4	5/8 or 1/2	1-7/8	13/16	3/4	1-7/16	1-3/8	100
33941	6	1-3/4	7/8	1	5/8 or 1/2	2-1/2	15/16	1	1-9/16	1-3/4	179
33942	8	2-1/8	1-1/8	1-5/8	3/4	3-3/16	1-1/8	1-1/4	2-1/16	2-1/2	387

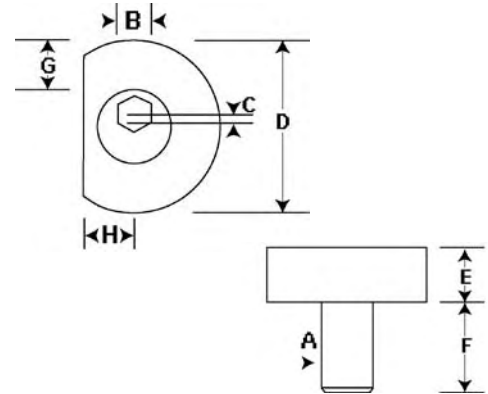
Forged Tapped Gooseneck Clamps



- Material: Forged high tensile carbon steel
- Black Oxide Finish

Part No.	A	B	C	D	Stud Size E	F	G	H	J	K	Tap L	Weight (lbs./100 pcs.)
33950	4	1-5/8	3/4	1/4	5/8 or 1/2	1-7/8	13/16	3/4	1-7/16	1-3/8	1/2-13	100
33951	6	1-3/4	7/8	1	5/8 or 1/2	2-1/2	15/16	1	1-9/16	1-3/4	5/8-11	179
33952	8	2-1/8	1-1/8	1-5/8	3/4	3-3/16	1-1/8	1-1/4	2-1/16	2-1/2	5/8-11	387

Machinable Fixture Clamps



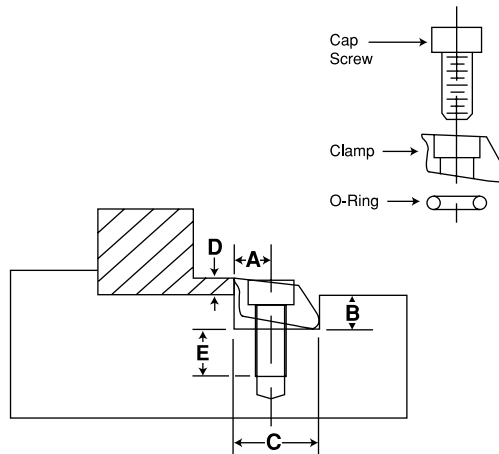
- Machinable steel washers provide more flexibility for holding round or unusual shape parts.
- Parts can be held directly to the fixture plate surface or elevated for through drilling.
- Special screw provided to hold the washer in the proper place during machining.
- Low Profile
- Made of mild steel for machinability

Part No.	Max. Holding Force Lbs.	Clamps Per Pack	A	B	C	D	E	F	G*	H***
35320	800 lbs.	4**	1/4-20	1/8	0.40	.980	.250	.470	.250	.312
35321	2000 lbs.	4**	3/8-16	3/16	0.50	1.23	.350	.710	.275	.406
35322	4000 lbs.	4**	1/2-13	5/16	.100	1.48	.450	.900	.300	.500
35323	6000 lbs.	4**	5/8-11	3/8	.100	1.73	.550	1.125	.350	.593

* "G" is the amount of machinable stock.
 ** Every package includes one machining screw.
 ***"H" is the distance from edge of workpiece to drill & tap hole.

Pitbull™ Clamps

- Extremely low bite
- Positive down force
- High resistance to rip-out
- Simple, sturdy, high quality design and components
- Available in several sizes and three styles

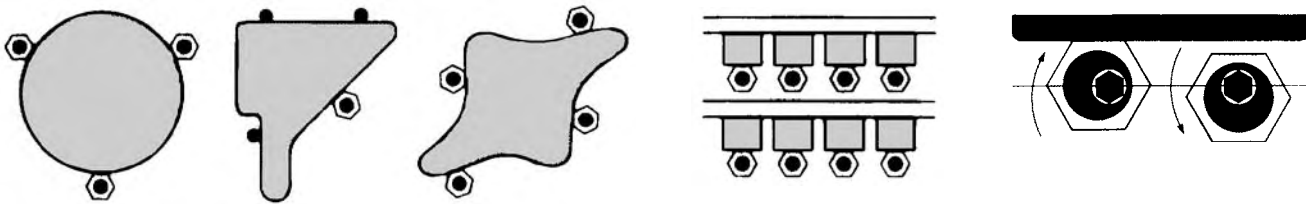


*Trademark of the Pitbull Company, Inc.

Part No.	Description	Clamp Width	Screw Size	Max. Holding Force Lbs.	Torque (in./lbs.)	Total Throw	Clamps Per Pkg.	A*	B	C	D	E
35200	Tool Steel, Knife Edge	.375	4-40	650 lbs.	16	.0075	8	.150	.140	.375	.075	.260
35201	Tool Steel, Blunt Edge	.375	4-40	650 lbs.	16	.0075	8	.150	.140	.375	.075	.260
35202	Brass, Blunt Edge	.375	4-40	200 lbs.	5	.0075	8	.150	.140	.375	.075	.220
35203	Tool Steel, Knife Edge	.500	8-32	1500 lbs.	50	.016	8	.200	.187	.500	.100	.390
35204	Tool Steel, Blunt Edge	.500	8-32	1500 lbs.	50	.016	8	.200	.187	.500	.100	.390
35205	Brass, Blunt Edge	.500	8-32	400 lbs.	25	.016	8	.200	.187	.500	.100	.340
35206	Tool Steel, Knife Edge	.750	1/4-20	3600 lbs.	200	.024	6	.300	.280	.750	.150	.570
35207	Tool Steel, Blunt Edge	.750	1/4-20	3600 lbs.	200	.024	6	.300	.280	.750	.150	.570
35208	Brass, Blunt Edge	.750	1/4-20	950 lbs.	50	.024	6	.300	.280	.750	.150	.440
35209	Tool Steel, Knife Edge	1.00	3/8-16	6000 lbs.	360	.050	4	.400	.450	1.00	.250	.710
35210	Tool Steel, Blunt Edge	1.00	3/8-16	6000 lbs.	360	.050	4	.400	.450	1.00	.250	.710
35211	Tool Steel, Knife Edge	1.50	1/2-13	12000 lbs.	1300	.075	2	.600	.640	1.50	.375	1.200
35212	Tool Steel, Blunt Edge	1.50	1/2-13	12000 lbs.	1300	.075	2	.600	.640	1.50	.375	1.200

*D: Clamp height

Fixture Clamps



Steel Part No.	Stainless Steel Part No.	Screw Size	Thread Length	Hex Size	Hex Height	Drill & Tap Dist.*	Max. Holding Force Lbs.	Total Throw	Clamps Per Pkg.
35300	-	#8-32	3/8	5/16	.110	.150	205 lbs.	.030	10
35301	-	#10-32	3/8	1/2	.160	.250	350 lbs.	.040	10
35302	-	1/4-20	1/2	5/8	.190	.308	800 lbs.	.040	10
35303	-	5/16-24	1/2	13/16	.190	.400	750 lbs.	.040	12
35304	-	5/16-18	1/2	13/16	.190	.400	750 lbs.	.040	12
35305	-	3/8-16	3/4	13/16	.250	.400	2000 lbs.	.050	10
35306	-	1/2-13	1	1	.375	.500	4000 lbs.	.100	8
35307	-	5/8-11	1 1/4	1 3/16	.500	.590	6000 lbs.	.100	4
-	35308	1/4-20	1/2	5/8	.190	.308	800 lbs.	.040	4
-	35309	5/8-18	1/2	13/16	.190	.400	750 lbs.	.040	4

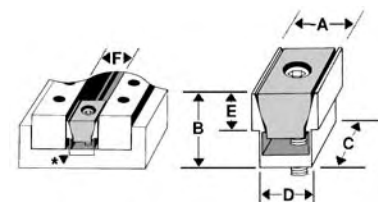
*NOTE: Distance from edge of workpiece to drill & tap hole.

- Hardened steel socket cap screw with an offset head and a hexagonal washer
- Low profile makes computer programming easier
- Small size allows more parts per load
- Simple design keeps cost low

Uniforce® Clamp

- A compact, economical workholding device enables you to fixture more parts on the machine table.
- This simple, efficient method of clamping workpieces will decrease your set up time, and increase your profits and production.

Part No.	Thread Size	Hex Key Size	Max. Spread	Holding Force Lbs.	Clamps Per Pkg.	A	B	C	D	E	F
35330	#2-56	5/64	.265	200 lbs.	6	.240	.27	.320	.210	.140	.250
35331	#4-40	3/32	.395	310 lbs.	6	.360	.38	.470	.310	.185	.375
35332	#8-32	9/64	.540	500 lbs.	8	.485	.57	.625	.410	.220	.500
35333	1/4-20	3/16	.800	1500 lbs.	6	.735	.77	.940	.635	.375	.750
35334	5/16-18	1/4	1.060	2000 lbs.	4	.980	1.02	1.250	.820	.500	1.00
35335	1/2-13	3/8	1.590	3500 lbs.	2	1.470	1.52	1.875	1.215	.750	1.50
35336	5/8-11	1/2	2.100	6000 lbs.	2	1.960	2.03	2.500	1.625	1.00	2.00

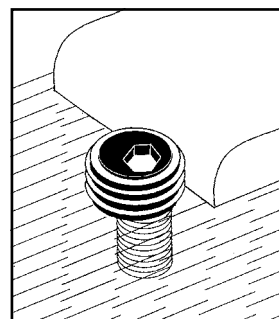


*"F" means the distance between workpieces for clamp clearance. Drill and tap mounting hole on the center of "F" dimension.

Knife Edge Clamps

- Bites into workpiece for secure clamping
- Follows contour of part for maximum contact
- Hardened steel
- For castings & rough cut stock

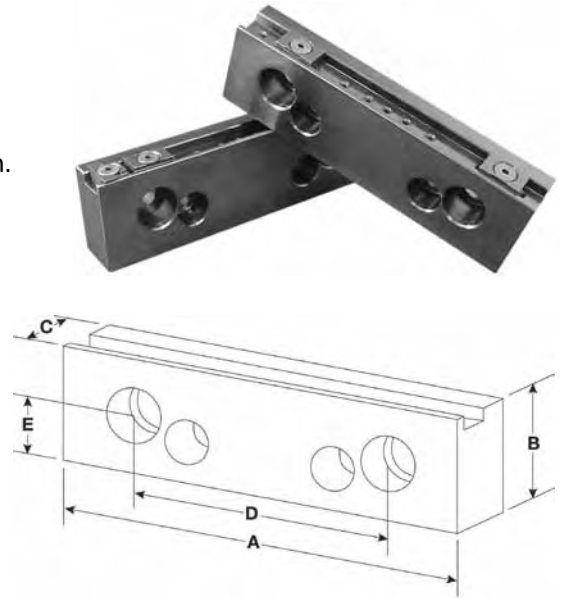
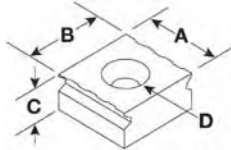
Part No.	Thread Size	Package Includes
35220	3/8-16	(8) Cam Screws + Knife Edge W
35221	1/2-13	(8) Cam Screws + Knife Edge W
35222	5/8-11	(4) Cam Screws + Knife Edge W



TalonGrip™ Vise Jaws Systems

Introducing a new and innovative product that will increase the functionality of your standard 4 and 6 inch vises. TalonGrip™ is a simple bolt on system that will allow you to perform aggressive machining operations while clamping on as little as .060 of an inch.

- Ideal for small lot sizes, difficult application or prototype work when building a fixture would not be beneficial.
- Also available individually for fixturing with the Pitbull® Clamp or soft jaw applications.



Vise Jaw Grips & Stops

Part No.	ITEM	A	B	C	D	Recommended Gripping Height	Qty. per pack
35420	Extra grips	.75	.500	.250	10-32	.060-.075	2
35425	Extra grips	.75	.500	.250	M5	.060-.075	2
35410	Extra stops	-	-	-	10-32	-	1
35415	Extra stops	-	-	-	M5	-	1

Fixture Grips

Part No.	A	B	C	D	Recommended Gripping Height	Qty. per pack
35430	.75	.750	.312	10-32	.06-.120	2
35431	.75	.750	.312	M5	.06-.120	2
35432	.75	1.000	.312	10-32	.06-.120	2
35433	.75	1.000	.312	M5	.06-.120	2
35434	1.00	1.000	.500	5/16-18	.060-.220	1
35435	1.00	1.000	.500	M8	.060-.220	1

Steel Vise Jaw Set

Part No.	Vise	A	B	C	D	E
35400	4"	4.0	1.49	1.0	2.5	.688
35401	4"/6"	6.0	1.74	1.0	2.5/3.88	.688/.94
35402	6"	8.0	1.74	1.0	3.88	.94

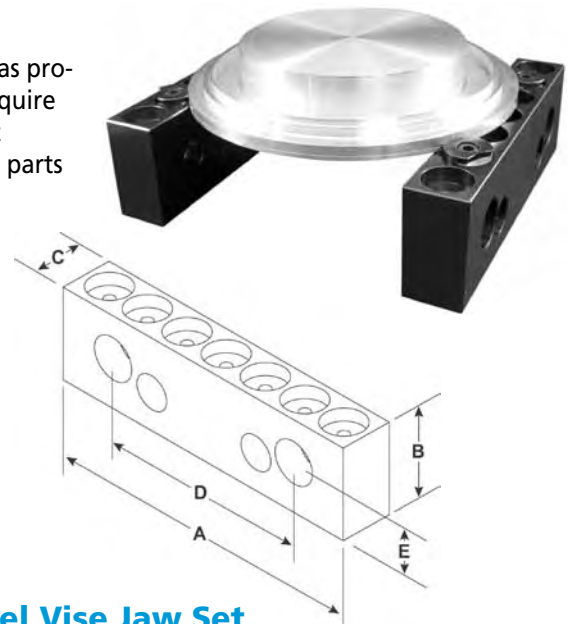
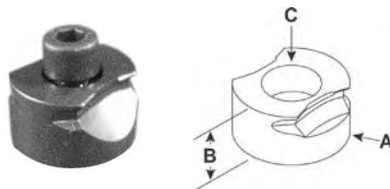
Set includes 4 TalonGrips, 1 stop with M5 screws



VersaGrip™ Vise Jaws Systems

Allows you the versatility of clamping standard vise work as well as providing a solution for difficult applications that would normally require fixturing or machining soft-jaws. By simply replacing your current jaws with the VersaGrip system you can securely hold odd shaped parts while machining at speeds and feeds never thought possible.

- Can accommodate a wide range of part sizes as well as holding multiple parts in a single cycle
- Hardened (52-54 RC) VersaGrip has penetrating teeth designed to bite into your workpiece preventing lateral and horizontal movement
- Will hold flame cuts parts, castings, even parts with a negative draft



VersaGrip

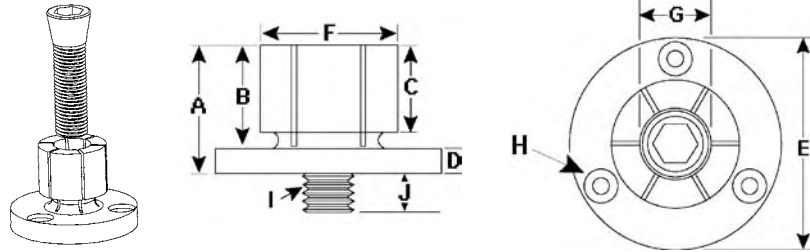
Part No.	A	B	C	Recommended Gripping Height	Qty. per pack
35455	.750	.375	M5	.060-.140	2

Steel Vise Jaw Set

Part No.	Vise	A	B	C	D	E
35450	4"/6"	6.00	1.88	1.0	2.5/3.88	.688/.94
35451	6"	8.00	1.88	1.0	3.88	.94

Set includes 4 VersaGrips

ID Expansion™ Clamp



- Low profile
- Ideal for secondary operations on lathe parts
- Easily machined to size on lathe or mill
- Excellent for palletized setups
- Allows more parts per workcube or fixture plate
- Clamp body made of mild steel for machinability
- Tighten with hex key or hydraulic pull cylinders

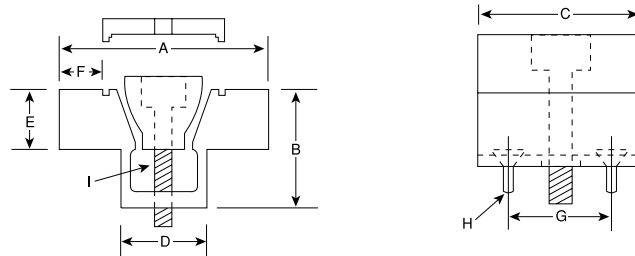
PATENT PENDING

Part No.	Model No.	A	B	C	D	+0.000 E -0.002	F	G*	H**	I	J
35260	#0	.86	.63	.59	.23	1.170	.49	.28	6-32 on .825 BHC	8-32	.30
35261	#1	.98	.75	.59	.23	1.240	.56	.48	6-32 on .910 BHC	1/4-20	.50
35262	#2	.98	.75	.59	.23	1.476	.79	.53	6-32 on 1.140 BHC	5/16-18	.56
35263	#3	1.13	.88	.69	.25	1.968	1.06	.71	8-32 on 1.550 BHC	3/8-16	.71
35264	#4	1.25	1.0	.81	.25	2.205	1.39	.90	8-32 on 1.790 BHC	1/2-13	.71
35265	#5	1.56	1.25	1.06	.31	2.736	1.65	1.15	10-32 on 2.200 BHC	5/8-11	.79
35266	#6	1.56	1.25	1.06	.31	2.972	2.03	1.15	10-32 on 2.515 BHC	5/8-11	.79
35267	#7	1.79	1.48	1.27	.31	4.232	3.06	1.15	1/4-20 on 3.646 BHC	5/8-11	.79
35268	#00	.42	.30	.24	.12	.787	.29	.16	2-56 on .540 BHC	2-56	.16
35269	#8	1.79	1.48	1.27	.31	5.232	4.06	1.15	1/4-20 on 4.648 BHC	5/8-11	.79

*"G": Minimum diameter the "F" dimension can be machined or turned down to

**H: 3 mounting screws included

Machinable Uniforce Clamps



- Hold round and unusual shaped parts with ease
- Compact method allows more parts per load at a lower price than vise soft jaw
- Available with extra material on the clamping jaws so it can be machined to conform to the shape of your workpiece
- Specially designed steel wedge spreads the clamping force uniformly on both sides of the 7075-T6 aluminum channel
- Unique locking plate makes the clamp rigid while machining the jaws to your specifications, without vibration

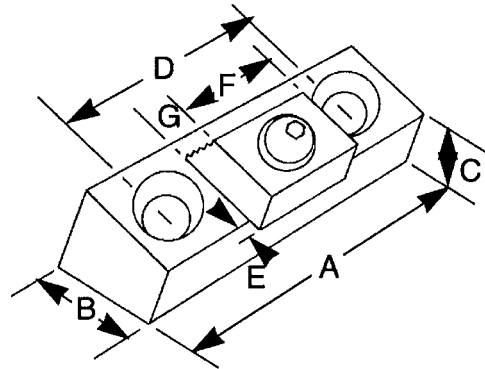
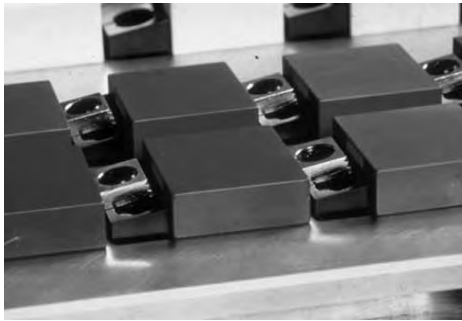
Part No.	Description	Model	A*	B	C	D	E	F**	G	H***	I
35350	1 Clamp Assembly w/Locking Plate	500	1.125	.50	.62	.420	.25	.18	.400	2-56	8-32
35351	1 Clamp Assembly, No Locking Plate	500	1.125	.50	.62	.420	.25	.18	.400	2-56	8-32
35352	1 Clamp Assembly w/Locking Plate	750	1.50	.75	.94	.632	.37	.26	.625	6-32	1/4-20
35353	1 Clamp Assembly, No Locking Plate	750	1.50	.75	.94	.632	.37	.26	.625	6-32	1/4-20
35354	1 Clamp Assembly w/Locking Plate	1000	2.00	1.0	1.25	.820	.50	.39	.812	6-32	5/16-18
35355	1 Clamp Assembly, No Locking Plate	1000	2.00	1.0	1.25	.820	.50	.39	.812	6-32	5/16-18
35356	1 Clamp Assembly w/Locking Plate	1500	3.00	1.5	1.87	1.215	.75	.62	1.20	10-32	1/2-13
35357	1 Clamp Assembly, No Locking Plate	1500	3.00	1.5	1.87	1.215	.75	.62	1.20	10-32	1/2-13
35358	1 Clamp Assembly w/Locking Plate	2000	4.00	2.0	2.5	1.625	1.0	.80	1.625	1/4-20	5/8-11
35359	1 Clamp Assembly, No Locking Plate	2000	4.00	2.0	2.5	1.625	1.0	.80	1.625	1/4-20	5/8-11

*A: The distance needed between workpieces for clamp clearance, drill and tap mounting holes on the center of "A" dimension.

**F: The amount of machinable stock on jaws.

***Mounting Screws included.

Compact Toe Clamp



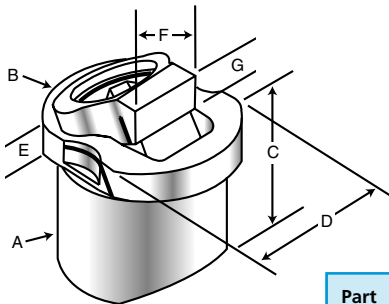
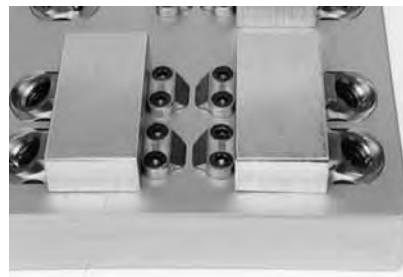
- Positive down force
- Cam action
- Clamp base should be installed in a slot to retain location
- Mounting screws included
- Available in three sizes
- Clamps can be used in series
- Clamp base provides for higher clamping – height is determined by depth of slot

Part No.	Cam Screw	Total Distance of Movement	Key Size	Mounting Screws	A	B	C	D	E*	F	G
35230	MB-6	.050	3/16	5/16-18 x 3/4 LH	1.70	.75	.50	1.00	.090	.75	.25
35231	MB-8	.100	5/16	3/8-16 x 3/4 LH	2.12	1.00	.45	1.32	.110	1.00	.38
35232	MB-10	.100	3/8	1/2-13 x 1 1/4 SHCS	2.95	1.50	.99	2.00	.130	1.50	.50

**E* is the distance needed between the front of the clamp base & the workpiece.

Dyna-Force Clamp

- Incredible clamping and hold down power
- Low profile, compact design
- High quality stainless steel construction
- Easy to install
- Smooth or serrated
- Available in five sizes



Part No.	Clamp Travel	Drive Screw	Key Size	Clamp Jaw** & Hardness	A*	B	C	D	E	F	Min G	Opt G	Max G
35240	2.0	6mm	5mm	smooth 34RC	20.00	24.90	19.00	19.90	4.50	13.50	3.25	5.00	6.75
35241	2.0	6mm	5mm	serrated 44RC	20.00	24.90	19.00	19.90	4.50	13.50	3.25	5.00	6.75
35242	2.2	8mm	6mm	smooth 34RC	25.00	29.90	24.00	24.90	5.00	15.00	4.50	6.50	8.35
35243	2.2	8mm	6mm	serrated 44RC	25.00	29.90	24.00	24.90	5.00	15.00	4.50	6.50	8.35
35244	3.8	10mm	8mm	smooth 34RC	30.00	37.90	29.00	29.90	7.00	20.00	4.50	7.50	10.75
35245	3.8	10mm	8mm	serrated 44RC	30.00	37.90	29.00	29.90	7.00	20.00	4.50	7.50	10.75

**A* is body diameter

**Smooth jaw only will have relief cut

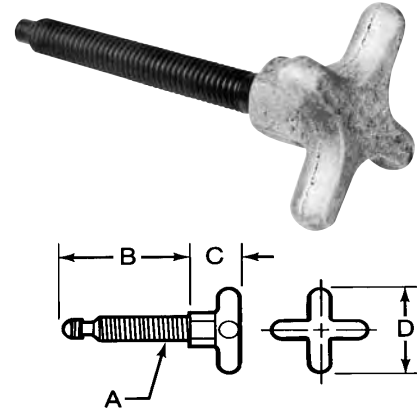
Bodies for Swivel Screw Clamp Systems

- Material: 12L14 Steel on all screw parts
- Black Oxide Finish
- Order pads separately – see page 45

Hand Knob Head Swivel Screw Clamps

Use when hand tightening is necessary.

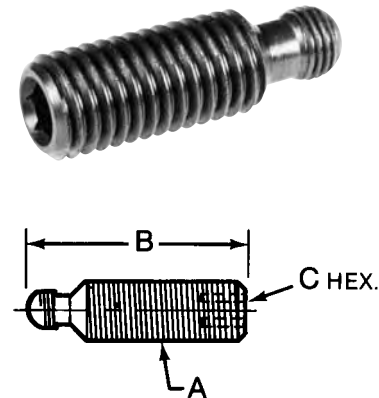
Part No.	Thread A	B	C	D	Use with Small Pad	Use with Large Pad	Wt. (lbs/100pcs)
31121	1/4-20	1-15/32	3/4	1-1/8	31501	31601	5
31122	1/4-20	1-31/32	3/4	1-1/8	31501	31601	5
31131	5/16-18	1-15/32	7/8	1-1/2	31502	31602	7
31133	5/16-18	2-15/32	7/8	1-1/2	31502	31602	8
31141	3/8-16	1-7/16	1	2	31503	31603	10
31142	3/8-16	1-15/16	1	2	31503	31603	12
31144	3/8-16	2-15/16	1	2	31503	31603	14
31154	1/2-13	2-15/16	1-1/2	2-1/2	31504	31604	31
31155	1/2-13	3-15/16	1-1/2	2-1/2	31504	31604	35



Hex Socket Head Swivel Screw Clamps

Use when space is limited and greater clamping pressures are needed.

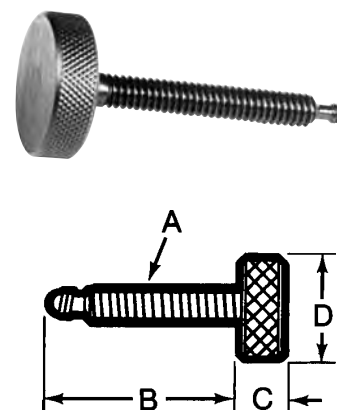
Part No.	Thread A	B	C	Use with Small Pad	Use with Large Pad	Wt. (lbs/100pcs)
31221	1/4-20	15/32	3/32	31501	31601	*
31222	1/4-20	23/32	3/32	31501	31601	*
31223	1/4-20	31/32	3/32	31501	31601	1
31224	1/4-20	1-15/32	3/32	31501	31601	1
31231	5/16-18	23/32	5/32	31502	31602	*
31232	5/16-18	31/32	5/32	31502	31602	*
31233	5/16-18	1-15/32	5/32	31502	31602	2
31234	5/16-18	1-31/32	5/32	31502	31602	3
31241	3/8-16	11/16	3/16	31503	31603	1
31242	3/8-16	15/16	3/16	31503	31603	2
31243	3/8-16	1-7/16	3/16	31503	31603	3
31244	3/8-16	1-15/16	3/16	31503	31603	4
31252	1/2-13	15/16	1/4	31504	31604	2
31253	1/2-13	1-7/16	1/4	31504	31604	5
31255	1/2-13	2-15/16	1/4	31504	31604	6



Knurled Head Swivel Screw Clamps

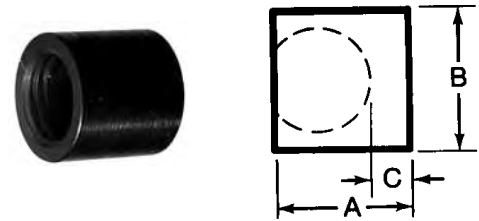
Use when finger tightening provides adequate pressure.

Part No.	Thread A	B	C	D	Use with Small Pad	Use with Large Pad	Wt. (lbs/100pcs)
31321	1/4-20	1-15/32	5/16	1	31501	31601	8
31322	1/4-20	1-31/32	5/16	1	31501	31601	12
31331	5/16-18	1-15/32	3/8	1-1/8	31502	31602	9
31332	5/16-18	1-31/32	3/8	1-1/8	31502	31602	13
31333	5/16-18	2-15/32	3/8	1-1/8	31502	31602	14
31341	3/8-16	1-7/16	7/16	1-1/4	31503	31603	18
31342	3/8-16	1-15/16	7/16	1-1/4	31503	31603	19
31343	3/8-16	2-7/16	7/16	1-1/4	31503	31603	20
31344	3/8-16	2-15/16	7/16	1-1/4	31503	31603	21
31354	1/2-13	2-15/16	7/16	1-1/4	31504	31604	26



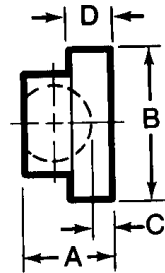
Pads for Swivel Screw Clamp Systems

- Used to secure clamping of soft metal or angular surface without damaging workpiece
- Assembly includes: 1 Swivel Clamp Body and 1 Pad
- For material information, see individual components
- Material: 12L14 Steel
- Black Oxide Finish
- Left Hand internal threads



Small Pad

Part No.	Fit Body Thread Size	A	B	C	Internal Thread (left hand)	Weight (lbs/100pcs)
31501	1/4-20	0.193	3/16	1/16	8-36	1
31502	5/16-18	19/64	1/4	3/64	12-28	1
31503	3/8-16	21/64	19/64	1/16	1/4-28	1
31504	1/2-13	25/64	13/32	1/16	5/16-24	2



Large Pad

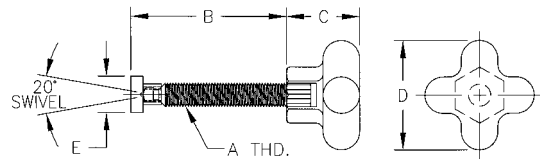
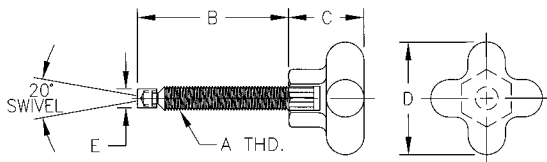
Part No.	Body Thread Size	A	B	C	D	Internal Thread (left hand)	Weight (lbs/100pcs)
31601	1/4-20	5/16	3/8	1/8	1/8	8-36	1
31602	5/16-18	23/64	1/2	9/64	5/32	12-28	1
31603	3/8-16	7/16	9/16	11/64	3/16	1/4-28	1
31604	1/2-13	27/64	3/4	1/8	3/16	5/16-24	2

Swivel Screw Clamp Assemblies

- Assembly includes: 1 Swivel Clamp Body and 1 Pad
- For material information, see individual components



Hand Knob Head Swivel Screw Clamp Assemblies



Small Pad

Part No.	A	B	C	D	E	Wt. (lbs/100pcs)
31121S	1/4-20	1.50	3/4	1-1/8	3/16	6
31122S	1/4-20	2.00	3/4	1-1/8	3/16	7
31131S	5/16-18	1.50	7/8	1-1/2	1/4	8
31133S	5/16-18	2.50	7/8	1-1/2	1/4	9
31141S	3/8-16	1.50	1	2	19/64	11
31142S	3/8-16	2.00	1	2	19/64	13
31144S	3/8-16	3.00	1	2	19/64	15
31154S	1/2-13	3.00	1-1/2	2-1/2	13/32	33
31155S	1/2-13	4.00	1-1/2	2-1/2	13/32	37

Large Pad

Part No.	A	B	C	D	E	Wt. (lbs/100pcs)
31121L	1/4-20	1.60	3/4	1-1/8	3/8	6
31122L	1/4-20	2.10	3/4	1-1/8	3/8	7
31131L	5/16-18	1.60	7/8	1-1/2	1/2	8
31133L	5/16-18	2.60	7/8	1-1/2	1/2	9
31141L	3/8-16	1.60	1	2	9/16	11
31142L	3/8-16	2.10	1	2	9/16	13
31144L	3/8-16	3.10	1	2	9/16	15
31154L	1/2-13	3.10	1-1/2	2-1/2	3/4	33
31155L	1/2-13	4.10	1-1/2	2-1/2	3/4	37

Swivel Screw Clamp Assemblies

- Assembly includes: 1 Swivel Clamp Body and 1 Pad
- For material information, see individual components

Hex Head Swivel Screw Clamp Assemblies



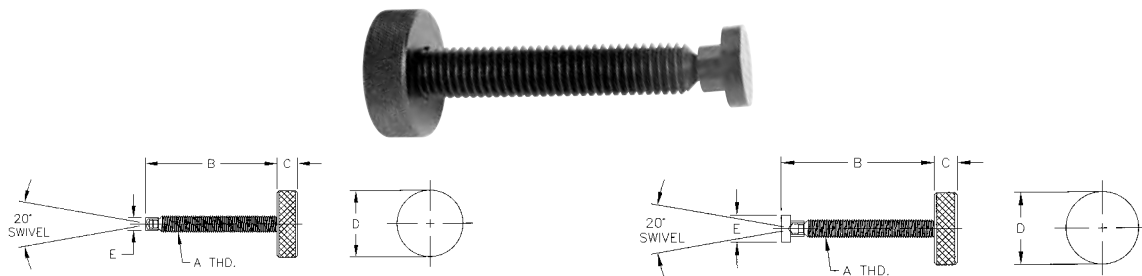
Small Pad

Part No.	A	B	C	D	Weight (lbs/100pcs)
31221S	1/4-20	0.53	3/32	3/16	1
31222S	1/4-20	0.78	3/32	3/16	1
31223S	1/4-20	1.03	3/32	3/16	2
31224S	1/4-20	1.50	3/32	3/16	2
31231S	5/16-18	0.77	5/32	1/4	1
31232S	5/16-18	1.02	5/32	1/4	1
31233S	5/16-18	1.52	5/32	1/4	3
31234S	5/16-18	2.02	5/32	1/4	4
31241S	3/8-16	0.75	3/16	19/64	2
31242S	3/8-16	1.00	3/16	19/64	3
31243S	3/8-16	1.50	3/16	19/64	4
31244S	3/8-16	2.00	3/16	19/64	5
31252S	1/2-13	1.00	1/4	13/32	4
31253S	1/2-13	1.50	1/4	13/32	7
31255S	1/2-13	3.00	1/4	13/32	10

Large Pad

Part No.	A	B	C	D	Weight (lbs/100pcs)
31221L	1/4-20	0.59	1/8	3/8	1
31222L	1/4-20	0.84	1/8	3/8	1
31223L	1/4-20	1.09	1/8	3/8	2
31224L	1/4-20	1.59	1/8	3/8	2
31231L	5/16-18	0.86	5/32	1/2	1
31232L	5/16-18	1.11	5/32	1/2	1
31233L	5/16-18	1.61	5/32	1/2	3
31234L	5/16-18	2.11	5/32	1/2	4
31241L	3/8-16	0.86	3/16	9/16	2
31242L	3/8-16	1.11	3/16	9/16	3
31243L	3/8-16	1.61	3/16	9/16	4
31244L	3/8-16	2.11	3/16	9/16	5
31252L	1/2-13	1.06	1/4	3/4	4
31253L	1/2-13	1.56	1/4	3/4	7
31255L	1/2-13	3.06	1/4	3/4	10

Knurled Head Swivel Screw Clamp Assemblies



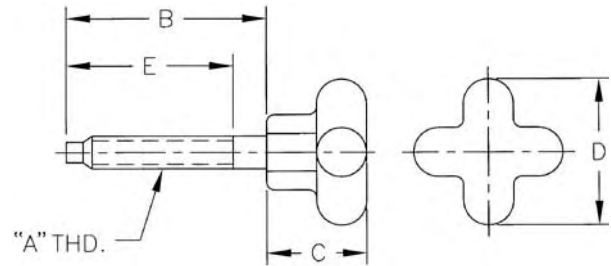
Small Pad

Part No.	A	B	C	D	E	Wt. (lbs/100pcs)
31321S	1/4-20	1.50	5/16	1	3/16	9
31322S	1/4-20	2.03	5/16	1	3/16	13
31331S	5/16-18	1.51	3/8	1-1/8	1/4	10
31332S	5/16-18	2.02	3/8	1-1/8	1/4	14
31333S	5/16-18	2.52	3/8	1-1/8	1/4	15
31341S	3/8-16	1.50	7/16	1-1/4	19/64	19
31342S	3/8-16	2.00	7/16	1-1/4	19/64	20
31343S	3/8-16	2.50	7/16	1-1/4	19/64	21
31344S	3/8-16	3.00	7/16	1-1/4	19/64	22
31354S	1/2-13	3.00	7/16	1-1/4	13/32	28

Large Pad

Part No.	A	B	C	D	E	Wt. (lbs/100pcs)
31321L	1/4-20	1.59	5/16	1	3/8	9
31322L	1/4-20	2.09	5/16	1	3/8	13
31331L	5/16-18	1.61	3/8	1-1/8	1/2	10
31332L	5/16-18	2.11	3/8	1-1/8	1/2	14
31333L	5/16-18	2.61	3/8	1-1/8	1/2	15
31341L	3/8-16	1.61	7/16	1-1/4	9/16	19
31342L	3/8-16	2.11	7/16	1-1/4	9/16	20
31343L	3/8-16	2.61	7/16	1-1/4	9/16	21
31344L	3/8-16	3.11	7/16	1-1/4	9/16	22
31354L	1/2-13	3.06	7/16	1-1/4	3/4	28

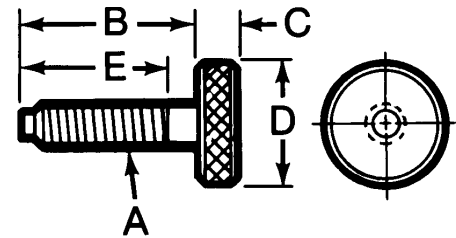
Dog Point Hand Knob Screws



- Material:
 - Knob: Cast Aluminum
 - Stem: 12L14 Steel
- Stem only: Black Oxide Finish, Case Hardened
- Many sizes conform to TCMAI standards
- Use when hand tightening is necessary for holding or clamping
- Dog point prevents damage to end threads

Part No.	Thread A	B	C	D	E	Weight (lbs/100pcs)
31025	1/4-20	1-1/2	3/4	1-1/8	1-1/4	5
31026	1/4-20	2	3/4	1-1/8	1-3/4	5
31027	1/4-20	2-1/2	3/4	1-1/8	2-1/4	6
31031	5/16-18	2	7/8	1-1/2	1-3/4	9
31032	5/16-18	2-1/2	7/8	1-1/2	2-1/4	9
31040	3/8-16	2-1/6	1	2	1-3/4	12
31041	3/8-16	2-9/16	1	2	2-1/4	14
31042	3/8-16	3-1/16	1	2	2-3/4	15
31050	1/2-13	2-9/16	1-1/2	2-1/2	2-1/4	35
31051	1/2-13	3-1/16	1-1/2	2-1/2	2-3/4	31
31052	1/2-13	3-9/16	1-1/2	2-1/2	3-1/4	39

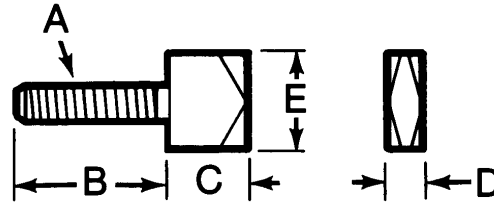
Dog Point Knurled Head Screws



- Material: 12L14 Steel
- Black Oxide Finish
- Case Hardened
- Many sizes conform to TCMAI standards
- Use for light clamping or holding
- Knurled head allows better grip
- Dog point prevents damage to end threads
- Special sizes quoted upon request

Part No.	Thread A	B	C	D	E	Weight (lbs/100pcs)
43801	10-24	1	1/4	3/4	3/4	3
43802	10-24	1-1/2	1/4	3/4	1-1/4	3
43803	10-24	2	1/4	3/4	1-3/4	3
43804	10-32	1-1/2	1/4	3/4	1-3/8	3
43805	1/4-20	2	5/16	1	1-3/4	5
43806	1/4-20	2-1/2	5/16	1	2-1/4	9
43807	1/4-20	1-1/2	5/16	1	1-1/4	9
43808	5/16-18	1-1/2	3/8	1-1/8	1-1/4	6
43809	5/16-18	2	3/8	1-1/8	1-3/4	11
43810	5/16-18	2-1/2	3/8	1-1/8	2-1/4	13
43813	3/8-16	2	7/16	1-1/4	1-3/4	13
43811	3/8-16	2-1/2	7/16	1-1/4	2-1/4	24
43812	3/8-16	3	7/16	1-1/4	2-3/4	27
43814	1/2-13	3	7/16	1-1/4	2-3/4	28
43815	1/2-13	3-1/2	7/16	1-1/4	3-1/4	30

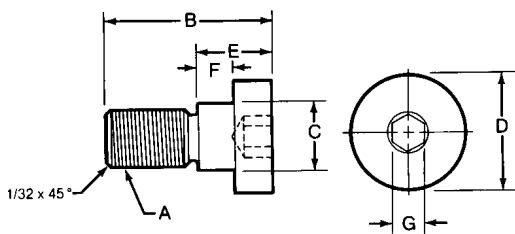
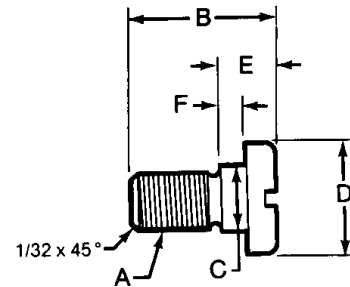
Quarter Turn Screws



- Material: 1018 Steel
- Black Oxide Finish
- Many sizes conform to TCMAI standards
- Chamfered corners for self alignment of screw

Part No.	Thread A	B	C	D	E	Weight (lbs/100pcs)
43901	10-24	1	1/2	3/16	1/2	3
43902	10-32	1	1/2	3/16	1/2	3
43903	1/4-20	1-1/4	5/8	1/4	3/4	5
43904	5/16-18	1-1/2	3/4	5/16	1	9
43905	3/8-16	1-1/2	1	3/8	1	11

Lock Screws



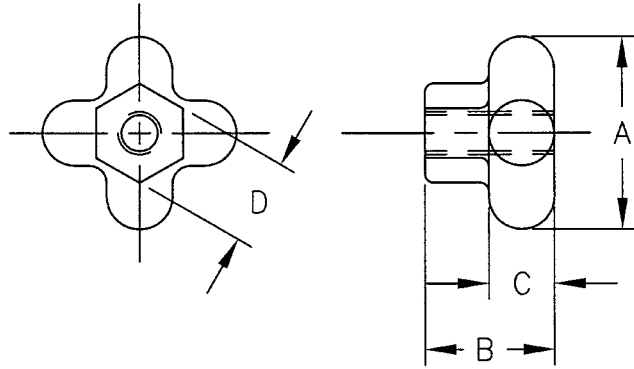
Slotted Lock Screws

Part No.	Thread A	B	C	D	E	F	Wt. (lbs/100pcs)
79110	8-32	7/16	3/16	5/16	3/16	.094/1.00	1
79111	5/16-18	5/8	3/8	5/8	1/4	.132/.128	2
79112	5/16-18	7/8	3/8	5/8	3/8	.194/.200	3
79113	3/8-16	1	7/16	3/4	3/8	.194/.200	4
79114	3/8-16	1-1/16	7/16	3/4	7/16	.225/.231	5
79115	3/8-16	1-1/8	7/16	3/4	1/2	.257/.263	5

Socket Head Lock Screws

Part No.	Thread A	B	C	D	E	F	Hex G	Wt. (lbs/100pcs)
79130	8-32	7/16	3/16	5/16	3/16	.094/.100	3/32	1
79131	5/16-18	5/8	3/8	5/8	1/4	.132/.138	3/16	2
79132	5/16-18	7/8	3/8	5/8	3/8	.194/.200	3/16	3
79133	3/8-16	1	7/16	3/4	3/8	.194/.200	7/32	4
79134	3/8-16	1-1/16	7/16	3/4	7/16	.225/.231	7/32	5
79135	3/8-16	1-1/8	7/16	3/4	1/2	.257/.263	7/32	5

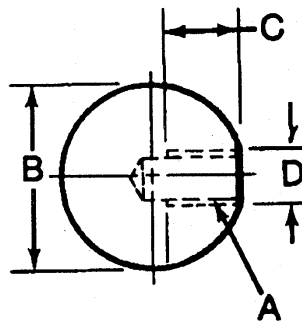
Cast Aluminum Hand Knobs



- Many sizes conform to TCMAI standards
- Available tapped through, blank, or tapped part way through
- Blank knob includes a cast center which eliminates center drilling
- Use as a handle or clamping knob

Part No.	A	B	C	D	Thread No. 1	Thread No. 2	Thread Depth	Weight (lbs/100pcs)
43305	1-1/8	3/4	3/8	1/2	1/4-20	-	Thru	3
43307	1-1/8	3/4	3/8	1/2	-	-	Blank	4
43308	1-1/8	3/4	3/8	1/2	-	1/4-20	3/8	3
43309	1-1/2	7/8	3/8	19/32	5/16-18	-	Thru	4
43311	1-1/2	7/8	3/8	19/32	-	-	Blank	5
43312	1-1/2	7/8	3/8	19/32	-	5/16-18	7/16	4
43313	2	1	3/8	11/16	3/8-16	-	Thru	6
43315	2	1	3/8	11/16	-	-	Blank	8
43316	2	1	3/8	11/16	-	3/8-16	1/2	6
43317	2-1/2	1-1/2	1/2	1-1/16	1/2-13	-	Thru	16
43319	2-1/2	1-1/2	1/2	1-1/16	-	-	Blank	19
43320	2-1/2	1-1/2	1/2	1-1/16	-	1/2-13	3/4	16
43325	3	1-3/4	5/8	1-1/4	3/4-10	-	Thru	26
43327	3	1-3/4	5/8	1-1/4	-	-	Blank	33

Plastic Ball Knobs

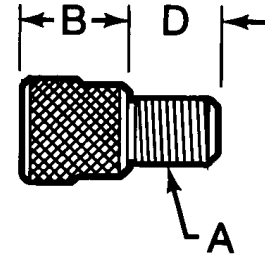
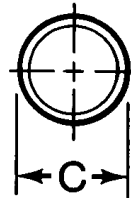


- Material: Black Plastic
- Lightweight, plastic construction keeps ball rust free
- Blank knob includes a cast center, which eliminates center drilling

Part No.	Thread A	B	C	D	Brass Insert	Weight (lbs/100pcs)
43601	10-32	3/4	5/16	3/8	YES	2
43602	1/4-20	1	7/16	1/2	YES	4
43603	1/4-28	1	7/16	1/2	YES	4
43604	5/16-18	1	7/16	1/2	YES	4
43605	5/16-24	1	7/16	1/2	YES	4
43606	3/8-16	1-3/8	1/2	5/8	YES	8
43607	3/8-24	1-3/8	1/2	5/8	YES	8
43608	1/2-13	1-3/8	5/8	5/8	YES	8
43609	1/2-20	1-3/8	5/8	5/8	YES	8
43612	1/2-13	1-7/8	5/8	3/4	YES	20
43613	1/2-20	1-7/8	5/8	3/4	YES	20
43614*	5/8-18	1-7/8	3/4	7/8	NO	20

*Molded Threads

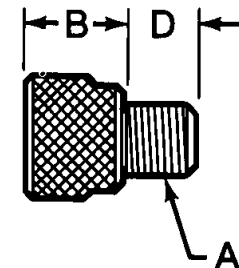
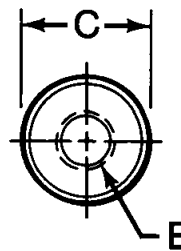
Threaded Flat Rest Pads



- Material: 1117 Steel
- Black oxide finish on all surfaces not qualified
- Case hardened
- Use to support and position workpiece
- Especially effective when supporting flat surfaces

Part No.	Thread A	+0.0000 -0.0003 B	Dia. C	D	Wt. (lbs/100 pcs)
56003	3/8-16	0.50	1	7/16	12
56004	3/8-16	0.75	1	7/16	12
56005	3/8-16	1.00	1	7/16	12
56013	1/2-13	0.50	1	7/16	12
56014	1/2-13	0.75	1	7/16	12
56015	1/2-13	1.00	1	7/16	12

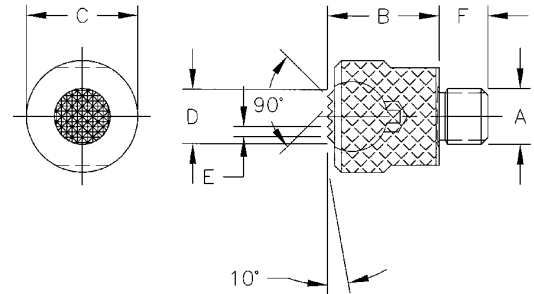
Threaded Stack Rest Pads



- Material: 1117 Steel
- Black oxide finish on all surfaces not qualified
- Case hardened
- Use to support and position workpiece
- Internal threads allow rest pads to be stacked to support workpiece at desired height

Part No.	Thread A	+0.0000 -0.0003 B	Dia. C	D	E	Wt. (lbs/100 pcs)
56106	1/2-13	0.75	1	7/16	1/2-13 x .48 dp	12
56107	1/2-13	1.00	1	7/16	1/2-13 x .48 dp	12

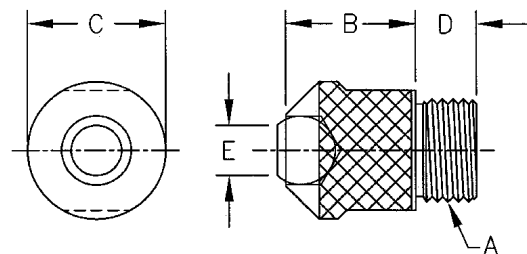
Threaded Rest Pads with Self-Aligning Gripper



- Material:
 - Body: 4140 Steel
 - Ball: 52100 Steel
- Black oxide finish on all surfaces not qualified
- Case hardened
- Self-aligning gripper ball enables rest pad to effectively support and position rough or uneven workpiece surfaces
- Gripper ball swivels 10 degrees in any direction

Part No.	Thread A	+0.000 -.005 B	Dia. C	D	E	F	Wt. (lbs/100 pcs)
56801	3/8-16	0.75	3/4	3/8	0.093	.44	12
56802	3/8-16	1.00	3/4	3/8	0.093	.44	12
56803	1/2-13	0.75	3/4	3/8	0.093	.44	12
56804	1/2-13	1.00	3/4	3/8	0.093	.44	12

Threaded Rest Pads with Self-Aligning Ball



- Material:
 - Body: 4140 Steel
 - Ball: 52100 Steel
- Black oxide finish on all surfaces not qualified
- Case hardened
- Use to support and position workpiece
- Self-aligning ball enables rest pad to effectively support and position smooth workpiece surfaces
- Ball swivels 10 degrees in any direction

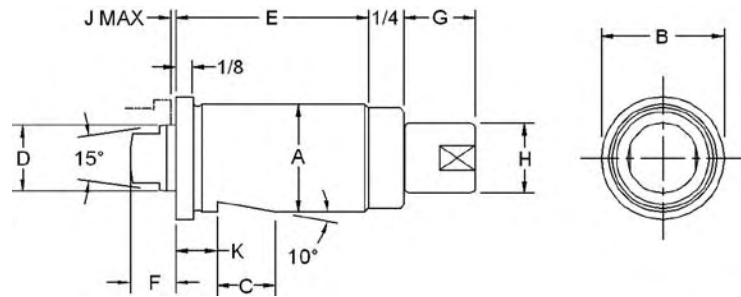
Part No.	Thread A	+0.000 -.005 B	Dia. C	D	E	Wt. (lbs/100 pcs)
56400	3/8-16	0.50	3/4	7/16	3/8	12
56401	3/8-16	0.75	3/4	7/16	3/8	12
56402	3/8-16	1.00	3/4	7/16	3/8	12
56410	1/2-13	0.50	3/4	7/16	3/8	12
56411	1/2-13	0.75	3/4	7/16	3/8	12
56412	1/2-13	1.00	3/4	7/16	3/8	12

Taper Index Plungers

Finished and Unfinished Ground



- For material information, contact TE-CO
- Many sizes conform to TCMAI standards
- Bushing not included – order separately (see below)



Finished Ground

Part No.	A*	B	C	D	E	F	G	H	J	K	Lbs.**	Use with Bushing No.	Wt. (lbs/100 pcs)
54900	.7518/.7515	7/8	7/16	1/2	1-3/8	5/16	1/2	1/2	3/32	5/16	22	54970	22
54902	1.1268/1.1265	1-1/4	9/16	3/4	2	3/8	3/4	3/4	1/8	3/8	48	54972	67
54904	1.5022/1.5018	1-5/8	11/16	1	2-1/4	3/8	1	1	1/8	7/16	68	54974	135

Unfinished Ground

Part No.	A*	B	C	D	E	F	G	H	J	K	Lbs.**	Use with Bushing No.	Wt. (lbs/100 pcs)
54901	.770/.765	7/8	7/16	1/2	1-3/8	5/16	1/2	1/2	3/32	5/16	22	54971	22
54903	1.145/1.140	1-1/4	9/16	3/4	2	3/8	3/4	3/4	1/8	3/8	48	54973	67
54905	1.520/1.515	1-5/8	11/16	1	2-1/4	3/8	1	1	1/8	7/16	68	54975	135

*For proper installation use nominal drill diameter
 **Approximate poundage required to completely retract plunger.

Taper Index Bushings

Finished and Unfinished Ground

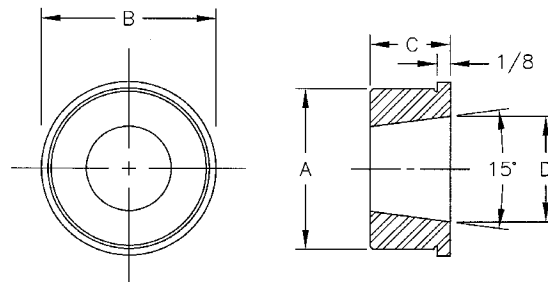


Finished Ground

Part No.	A*	B	C	+0.002 -0.000 D	Wt. (lbs/100 pcs)
54970	.7518/.7515	7/8	1/2	0.483	5
54972	1.1268/1.265	1-1/4	5/8	0.738	12
54974	1.5022/1.5018	1-5/8	3/4	0.988	25

Unfinished Ground

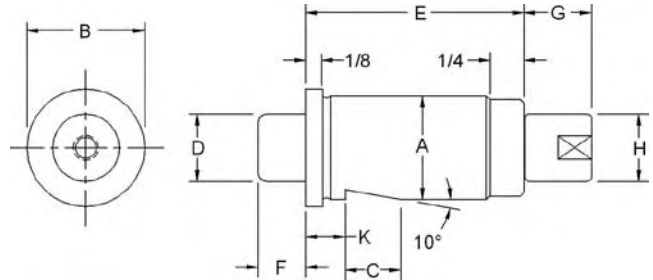
Part No.	A*	B	C	+0.002 -0.000 D	Wt. (lbs/100 pcs)
54971	.770/.765	7/8	1/2	0.483	5
54973	1.145/1.140	1-1/4	5/8	0.738	12
54975	1.520/1.515	1-5/8	3/4	0.988	25



*For proper installation use nominal drill diameter

Straight Index Plungers Finished and Unfinished Ground

- For material information, contact TE-CO
- Many sizes conform to TCMAI standards
- Bushing not included – order separately (see below)



Finished Ground

Part No.	A*	B	C	D	E	F	G	H	J	K	Lbs.**	Use with Bushing No.	Wt. (lbs/100 pcs)
54910	.7518/.7515	7/8	7/16	1/2	1-3/8	23/64	1/2	1/2	1/8	5/16	22	54980	22
54912	1.1268/1.1265	1-1/4	9/16	3/4	2	33/64	3/4	3/4	1/8	3/8	55	54982	69
54914	1.5022/1.5018	1-5/8	11/16	1	2-1/4	5/8	1	15/16	1/8	7/16	90	54984	139
54916	2.0023/2.0019	2-3/16	***	1-3/8	3	27/32	1	15/16	3/16	***	150	54986	300

Unfinished Ground

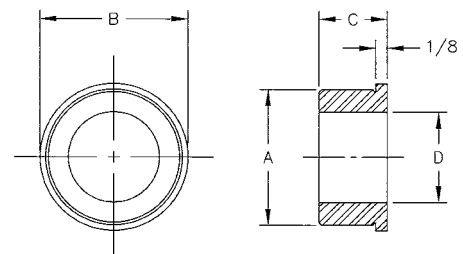
Part No.	A*	B	C	D	E	F	G	H	J	K	Lbs.**	Use with Bushing No.	Wt. (lbs/100 pcs)
54911	.770/.765	7/8	7/16	1/2	1-3/8	23/64	1/2	1/2	1/8	5/16	22	54981	22
54913	1.145/1.140	1-1/4	9/16	3/4	2	33/64	3/4	3/4	1/8	3/8	55	54983	69
54915	1.520/1.515	1-5/8	11/16	1	2-1/4	5/8	1	15/16	1/8	7/16	90	54985	139
54917	2.020/2.015	2-3/16	***	1-3/8	3	27/32	1	15/16	3/16	***	150	54987	300

- *For proper installation use nominal drill diameter
- **Approximate poundage required to completely retract plunger
- ***Whistle notch not included for this part number

Straight Index Bushings Finished and Unfinished Ground

Finished Ground

Part No.	A*	B	C	D	J	Wt. (lbs/100 pcs)
54980	.7518/.7515	7/8	1/2	1/2	1/8	4
54982	1.1268/1.265	1-1/4	5/8	3/4	1/8	10
54984	1.5022/1.5018	1-5/8	3/4	1	1/8	22
54986	2.0023/2.0019	2-3/16	1	1-3/8	3/16	50



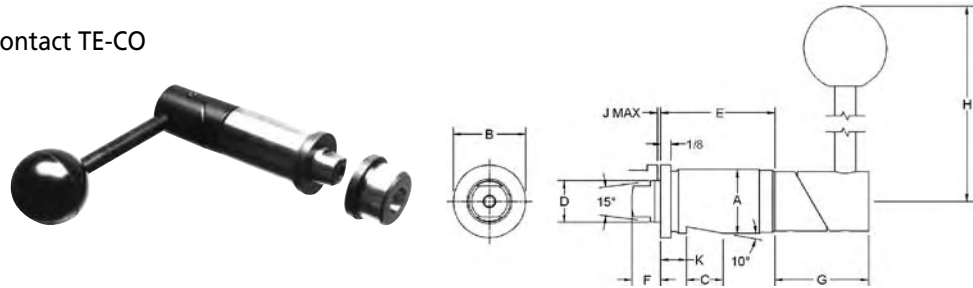
Unfinished Ground

Part No.	A*	B	C	D	J	Wt. (lbs/100 pcs)
54981	.770/.765	7/8	1/2	1/2	1/8	4
54983	1.145/1.140	1-1/4	5/8	3/4	1/8	10
54985	1.520/1.515	1-5/8	3/4	1	1/8	22
54987	2.020/2.015	2-3/16	1	1-3/8	3/16	50

- *For proper installation use nominal drill diameter

Rotary Cam Operated Taper Index Plungers Finished and Unfinished Ground

- For material information, contact TE-CO
- Many sizes conform to TCMAI standards
- Bushing not included – see page 53
- Vertical cam allows for quick vertical motion



Finished Ground

Part No.	A*	B	C	D	E	F	G	H	J	K	Use with Bushing No.	Wt. (lbs/100 pcs)
54920	.7518/.7515	7/8	7/16	1/2	1-3/8	5/16	1-1/8	3	3/32	5/16	54970	35
54922	1.1268/1.1265	1-1/4	9/16	3/4	2	3/8	1-1/2	3-1/2	1/8	3/8	54972	91
54924	1.5022/1.5018	1-5/8	11/16	1	2-1/4	3/8	1-7/8	4-1/2	1/8	7/16	54974	184

Unfinished Ground

Part No.	A*	B	C	D	E	F	G	H	J	K	Use with Bushing No.	Wt. (lbs/100 pcs)
54921	.770/.765	7/8	7/16	1/2	1-3/8	5/16	1-1/8	3	3/32	5/16	54971	35
54923	1.145/1.140	1-1/4	9/16	3/4	2	3/8	1-1/2	3-1/2	1/8	3/8	54973	91
54925	1.520/1.515	1-5/8	11/16	1	2-1/4	3/8	1-7/8	4-1/2	1/8	7/16	54975	184

*For proper installation use nominal drill diameter

Vertical Cam Operated Taper Index Plungers Finished and Unfinished Ground

- For material information, contact TE-CO
- Many sizes conform to TCMAI standards
- Bushing not included – see page 53
- Vertical cam allows for quick vertical motion



Finished Ground

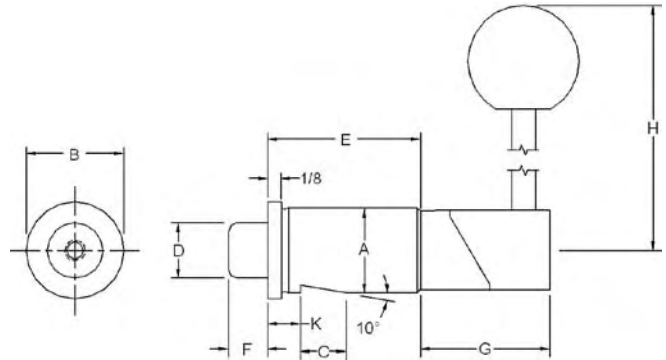
Part No.	A*	B	C	D	E	F	G	H	J	K	Use with Bushing No.	Wt. (lbs/100 pcs)
54930	.7518/.7515	7/8	7/16	1/2	1-3/8	5/16	1	3	3/32	5/16	54970	32
54932	1.1268/1.1265	1-1/4	9/16	3/4	2	3/8	1-5/16	3-1/2	1/8	3/8	54972	90
54934	1.5022/1.5018	1-5/8	11/16	1	2-1/4	3/8	1-7/16	4-1/2	1/8	7/16	54974	163

Unfinished Ground

Part No.	A*	B	C	D	E	F	G	H	J	K	Use with Bushing No.	Wt. (lbs/100 pcs)
54931	.770/.765	7/8	7/16	1/2	1-3/8	5/16	1	3	3/32	5/16	54971	32
54933	1.145/1.140	1-1/4	9/16	3/4	2	3/8	1-5/16	3-1/2	1/8	3/8	54973	90
54935	1.520/1.515	1-5/8	11/16	1	2-1/4	3/8	1-7/16	4-1/2	1/8	7/16	54975	163

*For proper installation use nominal drill diameter

Rotary Cam Operated Straight Index Plungers Finished and Unfinished Ground



- For material information, contact TE-CO
- Many sizes conform to TCMAI standards
- Bushing not included – see page 53
- Rotary cam allows for quick horizontal motion

Finished Ground

Part No.	A*	B	C	D	E	F	G	H	J	K	Use with Bushing No.	Wt. (lbs/100 pcs)
54940	.7518/.7515	7/8	7/16	1/2	1-3/8	23/64	1-1/8	3	1/8	5/16	54980	35
54942	1.1268/1.1265	1-1/4	9/16	3/4	2	33/64	1-1/2	3-1/2	1/8	3/8	54982	92
54944	1.5022/1.5018	1-5/8	11/16	1	2-1/4	5/8	1-7/8	4-1/2	1/8	7/16	54984	185
54946	2.0023/2.0019	2-3/16	**	1-3/8	3	27/32	2-1/8	5-3/4	3/16	**	54986	418

Unfinished Ground

Part No.	A*	B	C	D	E	F	G	H	J	K	Use with Bushing No.	Wt. (lbs/100 pcs)
54941	.770/.765	7/8	7/16	1/2	1-3/8	23/64	1-1/8	3	1/8	5/16	54981	35
54943	1.145/1.140	1-1/4	9/16	3/4	2	33/64	1-1/2	3-1/2	1/8	3/8	54983	92
54945	1.520/1.515	1-5/8	11/16	1	2-1/4	5/8	1-7/8	4-1/2	1/8	7/16	54985	185
54947	2.020/2.015	2-3/16	**	1-3/8	3	27/32	2-1/8	5-3/4	3/16	**	54987	418

- *For proper installation use nominal drill diameter
 **Whistle notch not included for this part number

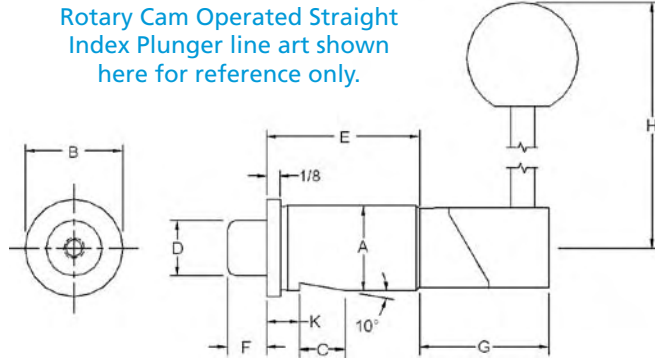
TOOLING COMPONENTS



Vertical Cam Operated Straight Index Plungers Finished and Unfinished Ground

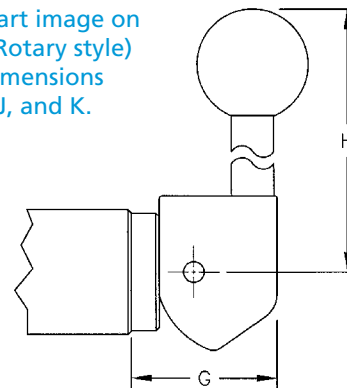


Rotary Cam Operated Straight Index Plunger line art shown here for reference only.



- For material information, contact TE-CO
- Many sizes conform to TCMAI standards
- Bushing not included – see page 53
- Vertical cam allows for quick vertical motion

Use line art image on pg. 56 (Rotary style) for dimensions A-F, J, and K.



Finished Ground

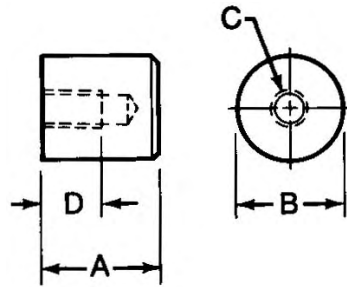
Part No.	A*	B	C	D	E	F	G	H	J	K	Use with Bushing No.	Wt. (lbs/100 pcs)
54950	.7518/.7515	7/8	7/16	1/2	1-3/8	23/64	1	3	1/8	5/16	54980	33
54952	1.1268/1.1265	1-1/4	9/16	3/4	2	33/64	1-5/16	3-1/2	1/8	3/8	54982	90
54954	1.5022/1.5018	1-5/8	11/16	1	2-1/4	5/8	1-7/16	4-1/2	1/8	7/16	54984	167
54956	2.023/2.0019	2-3/16	**	1-3/8	3	27/32	1-5/8	5-3/4	3/16	**	54986	354

Unfinished Ground

Part No.	A*	B	C	D	E	F	G	H	J	K	Use with Bushing No.	Wt. (lbs/100 pcs)
54951	.770/.765	7/8	7/16	1/2	1-3/8	23/64	1	3	1/8	5/16	54981	33
54953	1.145/1.140	1-1/4	9/16	3/4	2	33/64	1-5/16	3-1/2	1/8	3/8	54983	90
54955	1.520/1.515	1-5/8	11/16	1	2-1/4	5/8	1-7/16	4-1/2	1/8	7/16	54985	167
54957	2.020/2.015	2-3/16	**	1-3/8	3	27/32	1-5/8	5-3/4	3/16	**	54987	354

*For proper installation use nominal drill diameter
 **Whistle notch not included for this part number

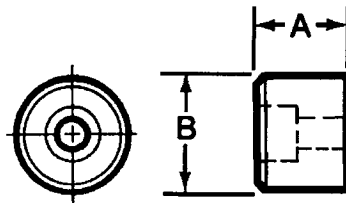
Tapped Jig Feet



- Material: 1018 Steel, Black Oxide Finish
- Case Hardened
- Use to support or locate workpiece.
- Use to raise jigs and fixtures off of machine table

Part No.	+0.001 -0.000 A	B	C	D	Wt. (lbs/100 pcs)
44150	3/8	5/8	10-32	1/4	3
44151	1/2	5/8	10-32	1/4	4
44152	3/4	5/8	10-32	5/16	6
44153	1	5/8	10-32	5/16	8
44154	1/2	7/8	5/16-18	5/16	8
44155	3/4	7/8	5/16-18	1/2	12
44156	1	7/8	5/16-18	1/2	16
44157	3/4	1-1/4	3/8-16	9/16	24
44158	1	1-1/4	3/8-16	9/16	32
44159	1-1/2	1-1/4	3/8-16	9/16	49

Button Jig Feet

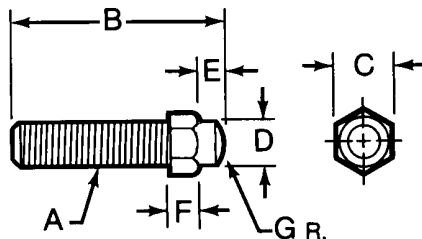


- Material: 12L14 Steel, Black Oxide Finish
- Case Hardened
- Many sizes conform to TCMAI standards.
- Screw not furnished
- Length dimension is finished ground
- Use to locate or support workpiece
- Use to raise jigs and fixtures off machine table

Socket Head Cap Screw
* Flat Head Cap Screw

Part No.	+0.001 -0.000 A	B	Screw Type & Size	Wt. (lbs/100 pcs)
44103	3/8	1/2	10-32*	1
44104	1/2	1/2	10-32*	2
44105	1/4	5/8	10-32*	1
44107	3/8	5/8	1/4#	2
44109	1/2	5/8	1/4#	3
44110	5/8	5/8	1/4#	4
44111	3/4	5/8	1/4#	5
44113	1	5/8	1/4#	7
44115	1/2	7/8	5/16#	6
44117	3/4	7/8	5/16#	10
44118	1	7/8	5/16#	13
44119	3/4	1-1/4	3/8#	21
44120	1	1-1/4	3/8#	29
44121	1-1/2	1-1/4	3/8#	44
44122	2	1-1/4	3/8#	60

Pre-Set Buttons



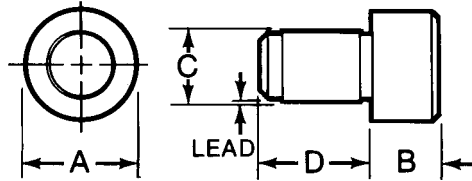
- Material: 12L14 Steel
- Black Oxide Finish
- Case Hardened
- Many sizes conform to TCMAI standards

Part No.	A	B	C	D	E	F	G	Wt. (lbs/100pcs)
44290	10-32	1	1/4	3/16	1/8	1/8	1/8	1
44291	14-28	1-1/2	3/8	1/4	3/16	3/16	3/16	2
44292	3/8-24	2	1/2	3/8	1/4	1/4	1/4	6
44293	1/2-20	2-1/2	5/8	1/2	5/16	5/16	5/16	13
44294	5/8-18	3	3/4	5/8	3/8	3/8	3/8	25

TOOLING COMPONENTS



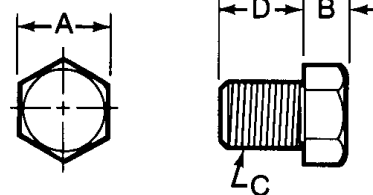
Press Fit Rest Buttons – Unfinished Ground



- Material: 1144 Stressproof Steel
- Through Hardened
- Black Oxide Finish on unqualified surfaces
- Many sizes conform to TCMAI standards
- Finished ground quoted upon request

Part No.	A	+0.015 +0.005 B	C	D	Wt. (lbs/100 pcs)
44201	3/8	1/4	.1880/.1885	3/8	1
44202	3/8	3/8	.1880/.1885	3/8	1
44203	3/8	1/2	.1880/.1885	3/8	2
44204	1/2	1/4	.2505/.2510	1/2	2
44205	1/2	3/8	.2505/.2510	1/2	3
44206	1/2	1/2	.2505/.2510	1/2	3
44207	5/8	1/4	.3755/.3760	5/8	4
44208	5/8	3/8	.3755/.3760	5/8	5
44209	5/8	1/2	.3755/.3760	5/8	6
44210	5/8	5/8	.3755/.3760	5/8	7
44211	7/8	3/8	.5005/.5010	5/8	10
44212	7/8	1/2	.5005/.5010	5/8	12
44213	7/8	5/8	.5005/.5010	5/8	14
44214	1	3/8	.6255/.6260	3/4	15
44215	1	1/2	.6255/.6260	3/4	18
44216	1	5/8	.6255/.6260	3/4	20
44217	1-1/4	1/2	.7505/.7510	7/8	28
44218	1-1/4	5/8	.7505/.7510	7/8	32
44220	1/2	1/4	.3130/.3135	1/2	2
44221	1/2	3/8	.3130/.3135	1/2	3
44222	1/2	1/2	.3130/.3135	1/2	4
44223	5/8	7/16	.3755/.3760	5/8	6
44224	5/8	3/4	.3755/.3760	5/8	8
44225	7/8	7/16	.5005/.5010	5/8	1
44226	7/8	3/4	.5005/.5010	5/8	16
44227	1	7/16	.6255/.6260	3/4	16
44228	1	3/4	.6255/.6260	3/4	23
44229	1-1/4	3/8	.7505/.7510	7/8	24
44230	1-1/4	7/16	.7505/.7510	7/8	26
44231	1-1/2	3/4	1.0005/1.0010	1	59

Threaded Rest Buttons Finished & Unfinished Ground

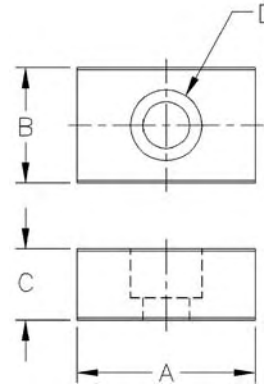


- Material: 1117 Steel
- Black Oxide Finish
- Case Hardened
- Many sizes conform to TCMAI standards

Part No. Unfinished Ground "B" Dim. +0.015 +0.005	Part No. Finished Ground "B" Dim. +0.001 -0.000	A	B	Thread C	D	Wt. (lbs/100pcs)
44801	44821	3/8	1/4	1/4-20	3/8	1
44802	44822	3/8	3/8	1/4-20	3/8	2
44803	44823	3/8	1/2	1/4-20	3/8	2
44804	44824	3/8	3/4	1/4-20	3/8	3
44805	44825	3/8	1	1/4-20	3/8	3
44806	44826	1/2	1/4	3/8-16	1/2	3
44807	44827	1/2	3/8	3/8-16	1/2	3
44808	44828	1/2	1/2	3/8-16	1/2	4
44809	44829	1/2	3/4	3/8-16	1/2	6
44810	44830	1/2	1	3/8-16	1/2	7
44811	44831	5/8	1/4	1/2-13	5/8	5
44812	44832	5/8	3/8	1/2-13	5/8	6
44813	44833	5/8	1/2	1/2-13	5/8	7
44814	44834	5/8	5/8	1/2-13	5/8	8
44815	44835	5/8	3/4	1/2-13	5/8	10
44816	44836	5/8	1	1/2-13	5/8	12

Plain Fixture Keys

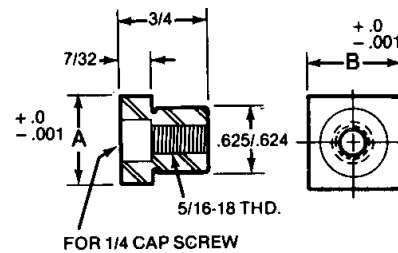
- Material: 1018 Steel
- Black Oxide Finish
- Case Hardened
- Many sizes conform to TCMAI standards
- Precision Ground
- Use to accurately align fixture on machine table
- Special sizes quoted upon request



Part No.	A	+0.000 -0.0005 B	C	Socket Head Screw D	Wt. (lbs/100 pcs)
44501	3/4	.5000	1/2	1/4	4
44502	3/4	.5625	1/2	1/4	5
44503	3/4	.625	1/2	5/16	6
44504	1	.6875	1/2	5/16	8
44505	1-1/4	.750	1/2	5/16	11
44506	1-1/4	.8125	1/2	5/16	13

Round Fixture Keys: Locking & Standard

- Material: 1018 Steel
- Black Oxide Finish
- Case Hardened
- Use to accurately align fixture on machine table
- Use standard keys on through holes
- Use locking keys in blind holes
- Locking keys are easily locked into position and removed
- Locking key assembly includes:
 - Fixture Key
 - Socket Head Cap Screw
 - Split Ring
 - Taper Plunger
- Split ring expands in hole by turning screw



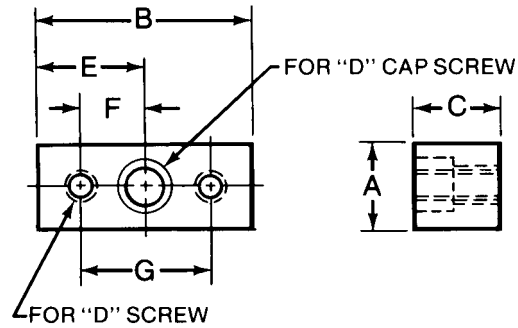
Locking Part No.	Wt. (lbs/100 pcs)	Standard Part No.	Wt. (lbs/100 pcs)	+0.000 -0.001 A	+0.000 -0.001 B
44520	8	44510	5	5/8	11/16
44521	8	44511	6	11/16	3/4
44522	9	44512	6	11/16	13/16
44523	9	44513	6	3/4	13/16

TOOLING COMPONENTS



Precision Fixture Keys

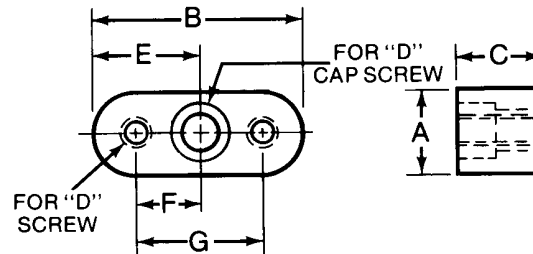
- Material: 1018 Steel
- Black Oxide Finish
- Case Hardened
- Precision Ground
- Use to accurately align fixture on machine table



Part No.	+0.000 -0.002 A	B	C	D	E	F	G	Wt. (lbs/100 pcs)
44530	0.3748	15/16	3/8	10-24	15/32	9/32	9/16	3
44531	0.4998	1-1/4	1/2	1/4-20	5/8	3/8	3/4	6
44532	0.6248	1-9/16	5/8	1/4-20	25/32	31/64	15/16	13
44533	0.7498	1-7/8	3/4	5/16-18	15/16	9/16	1-1/8	24
44534	0.9998	2-1/2	1	5/16-18	1-1/4	3/4	1-1/2	55

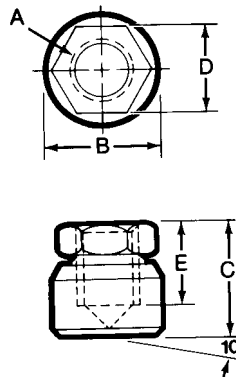
Radius End Precision Fixture Keys

- Material: 1018 Steel
- Black Oxide Finish
- Case Hardened
- Precision Ground
- Use to accurately align fixture on machine table



Part No.	+0.000 -0.002 A	B	C	D	E	F	G	Wt. (lbs/100 pcs)
44540	0.3748	15/16	3/8	10-24	15/32	9/32	9/16	2
44541	0.4998	1-1/4	1/2	1/4-20	5/8	3/8	3/4	5
44542	0.6248	1-9/16	5/8	1/4-20	25/32	31/64	15/16	12
44543	0.7498	1-7/8	3/4	5/16-18	15/16	9/16	1-1/8	21
44544	0.9998	2-1/2	1	5/16-18	1-1/4	3/4	1-1/2	50

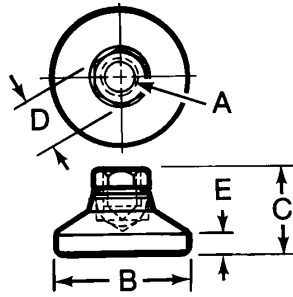
Toggle Pads



- Material: 12L14 Steel
- Black Oxide Finish or Zinc Plate Yellow Chromate Finish
- Case Hardened
- Many sizes conform to TCMAI standards.
- Pads swivel 10 degrees from vertical in any direction
- Assures positive gripping
- Use when high clamping pressures are required

Black Part No.	Yellow Part No.	Thread A	B	C	D	E	Weight (lbs/100pcs)
44302	44362	1/4-20	5/8	5/8	1/2	13/32	4
44303	44363	5/16-18	11/16	11/16	9/16	7/16	5
44304	44364	3/8-16	3/4	3/4	5/8	1/2	6
44305	44365	1/2-13	7/8	1	3/4	17/32	10
44306	44366	5/8-11	1	1-1/16	7/8	9/16	16
44307	44367	3/4-10	1-1/4	1-5/16	1-1/16	3/4	25
44308	44368	1-8	1-5/8	1-11/16	1-3/8	1	60

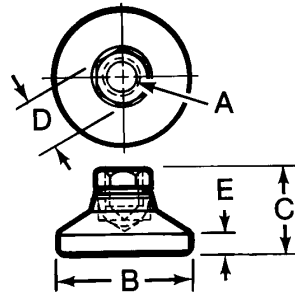
Leveling Pads



- Material: 12L14 Steel
- Black Oxide Finish
- Case Hardened
- Many sizes conform to TCMAI standards
- Pads swivel 10 degrees from vertical in any direction
- Large pad diameter provides solid support
- Use as a foot for machine tools, branches, electronic racks, etc.
- Special sizes quoted upon request

Part No.	Thread A	B	C	D	E	Load Limits	Weight (lbs/100pcs)
44401	3/8-16	1-1/4	7/8	5/8	3/16	3750 lbs.	14
44402	1/2-13	1-7/8	1-1/8	3/4	1/4	5000 lbs.	47
44403	5/8-11	2-1/2	1-1/4	7/8	5/16	6000 lbs.	67
44404	3/4-10	3	1-1/2	1-1/16	1/2	7200 lbs.	138

Zinc Plated Leveling Pads

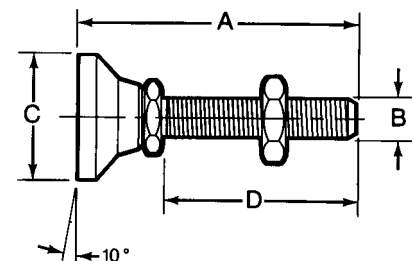


- Material: 12L14 Steel with Zinc Plate Yellow Chromate Finish
- Many sizes conform to TCMAI standards
- Pads swivel 10 degrees from vertical in any direction
- Large pad diameter provides solid support
- Use as a foot for machine tools, benches, electronic racks, etc.
- Special sizes quoted upon request

Part No.	Thread A	B	C	D	E	Load Limits	Weight (lbs/100pcs)
44431	3/8-16	1-1/4	7/8	5/8	3/16	3750 lbs.	14
44432	1/2-13	1-7/8	1-1/8	3/4	1/4	5000 lbs.	47
44433	5/8-11	2-1/2	1-1/4	7/8	5/16	6000 lbs.	67
44434	3/4-10	3	1-1/2	1-1/16	1/2	7200 lbs.	138

Leveling Pad & Stud Assembly

- Material: 12L14 Steel with Zinc Plating
- Zinc coating deters rust
- Integral stud and hardened ball swivels 10 degrees from vertical in any direction.
- Swivel action facilitates leveling of machine tools, benches, electronic racks, etc. – even on rough surfaces



Part No.	A	Thread B	C	D	Load Limits	Weight (lbs/100pcs)
44450	2-7/8	3/8-16	1-1/4	2-1/32	3750 lbs.	22
44451	3-1/8	1/2-13	1-7/8	1-31/32	5000 lbs.	54
44452	3-1/4	5/8-11	2-1/2	1-15/16	6000 lbs.	102
44453	3-1/2	3/4-10	3	1-31/32	7200 lbs.	184

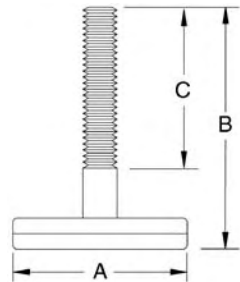
Leveling Mount – Light Duty



Ideal for use on light duty machinery, fitness equipment and other light duty applications.

- Chrome plated steel cup
- Zinc plated steel stud
- Hard nylon or soft TPR anti-skid bases available
- Special order stainless steel version available

High quality, low cost



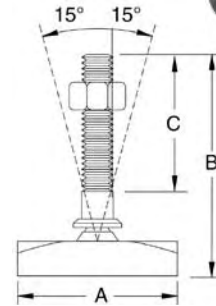
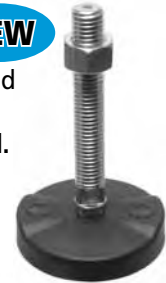
Part No.	A	B	C	Pad Material
71100	1.14	1.37	1/4-20 x 1	PP
71101	1.38	1.50	1/4-20 x 1	Nylon/TPR
71102	1.38	1.50	5/16-18 x 1	Nylon/TPR
71103	1.65	1.87	5/16-18 x 1-3/8	Nylon/TPR
71104	1.97	1.62	3/8-16 x 1	Nylon/TPR
71105	2.24	1.62	3/8-16 x 1	Nylon/TPR
71106	2.56	1.62	1/4-20 x 1	Nylon
71107	2.95	2.12	3/8-16 x 1-3/16	PP

Poly Pads – Stud Style

NEW

Ball and stud assembly are CNC machined from solid bar stock. Zinc plated with integrated stop collar. **Lock nut included.**

- Material:
 - Pad: 30% glass fiber filled nylon
 - Stud: 1117 zinc plated steel
- Pop-out caps expose holes for floor mounting
- Volume order stainless steel version available



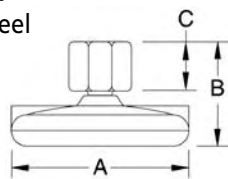
Part No.	A	B	C	Lag Hole	Wrench Flat	Max Load Rating
71109	1.97	5.29	3/8-16 x 4	.257	.55	4000 lbs.
71110	1.97	7.29	3/8-16 x 6	.257	.55	4000 lbs.
71112	1.97	5.29	1/2-13 x 4	.257	.55	4000 lbs.
71113	1.97	7.29	1/2-13 x 6	.257	.55	4000 lbs.
71115	1.97	5.29	5/8-11 x 4	.257	.55	4000 lbs.
71116	1.97	6.29	5/8-11 x 5	.257	.55	4000 lbs.
71117	1.97	7.29	5/8-11 x 6	.257	.55	4000 lbs.
71119	3.15	5.29	3/8-16 x 4	.354	.55	5000 lbs.
71120	3.15	7.29	3/8-16 x 6	.354	.55	5000 lbs.
71122	3.15	5.29	1/2-13 x 4	.354	.55	5000 lbs.
71123	3.15	7.29	1/2-13 x 6	.354	.55	5000 lbs.
71125	3.15	5.29	5/8-11 x 4	.354	.55	5000 lbs.
71126	3.15	6.29	5/8-11 x 5	.354	.55	5000 lbs.
71127	3.15	7.29	5/8-11 x 6	.354	.55	5000 lbs.
71129	4.33	5.53	3/8-16 x 4	.413	.55	5000 lbs.
71130	4.33	7.53	3/8-16 x 6	.413	.55	5000 lbs.
71132	4.33	5.53	1/2-13 x 4	.413	.55	5000 lbs.
71133	4.33	7.53	1/2-13 x 6	.413	.55	5000 lbs.
71135	4.33	5.53	5/8-11 x 4	.413	.55	6000 lbs.
71136	4.33	6.53	5/8-11 x 5	.413	.55	6000 lbs.
71137	4.33	7.53	5/8-11 x 6	.413	.55	6000 lbs.

Poly Pads – Tapped Style

NEW

Ball and tapped hex are CNC machined from solid bar stock. Zinc plated with integrated stop collar.

- Material:
 - Pad: 30% glass fiber filled nylon
 - Hex nut: 1117 zinc plated steel
- Pop-out caps expose holes for floor mounting
- Volume order stainless steel version available



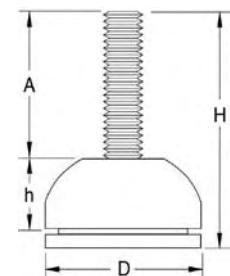
Part No.	A	B	C	Tap	Lag Hole	Hex	Max Load Rating
71140	1.97	1.66	.944	3/8-16	.257	5/8	4000 lbs.
71141	1.97	1.66	.944	1/2-13	.257	3/4	4000 lbs.
71142	1.97	1.66	.944	5/8-11	.257	7/8	4000 lbs.
71143	3.15	1.66	.944	3/8-16	.354	5/8	5000 lbs.
71144	3.15	1.66	.944	1/2-13	.354	3/4	5000 lbs.
71145	3.15	1.66	.944	5/8-11	.354	7/8	5000 lbs.
71146	4.33	1.91	.944	3/8-16	.413	5/8	4000 lbs.
71147	4.33	1.91	.944	1/2-13	.413	3/4	5000 lbs.
71148	4.33	1.91	.944	5/8-11	.413	7/8	6000 lbs.

Thermoplastic Fixed Foot

NEW

Strong and economical leveler with fixed non-swivel base.

- Material:
 - Base: Reinforced PA6 nylon
 - Stud: Zinc plated steel

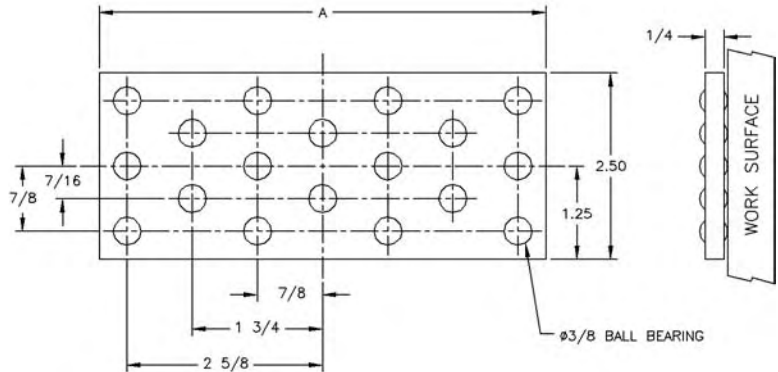


Shown with optional non-skid rubber pad

Part No.	A	D	d	H	h	Load Rating	Pad No.
71150	1.50	1.26	5/16-18	2.01	.51	1760 lbs.	NSP-01
71151	1.75	1.26	1/2-13	2.26	.51	1760 lbs.	NSP-01
71152	1.50	1.57	5/16-18s	2.01	.51	1760 lbs.	NSP-02
71153	1.75	1.57	3/8-16	2.26	.51	1760 lbs.	NSP-02

Strong, durable, economical

Ball Bearing Parallels



- Material:
 - Plate: 1018 Steel
 - Balls: Grade 200 Carbon Steel
- Black oxide finish on plate
- Designed to ease movement of heavy loads when machining
- Load capacity per ball: 3,000 lbs.
- All plates are 1/4" thick x 2-1/2" wide
- Balls are 3/8" diameter

Part No.	Length	Number of Balls per Plate	Wt. (lbs/100 pcs)
50201	6	18	105
50202	12	36	209
50203	18	54	313

Ball Bearing Parallel Kits



- Material:
 - Plate: 1018 Steel
 - Balls: Grade 200 Carbon Steel
- Black oxide finish on plate
- Designed to ease movement of heavy loads when machining
- Load capacity per ball: 3,000 lbs.
- All plates are 1/4" thick x 2-1/2" wide
- Balls are 3/8" diameter

Part No.	Plate No.	Number of Plates per Kit	Wt. (lbs/kit)
50204	50201	4	4.25
50205	50202	2	6.39

TE-CO Threaded Insert Kits



Part No.	Quantity of Inserts	Insert Part No.	Internal Thread	External Thread
Coarse Thread/Fine Thread – Steel				
42370	10	42313	10-24	3/8-16
	10	42314	1/4-20	7/16-14
	10	42315	5/16-18	1/2-13
	10	42316	3/8-16	9/16-12
	6	42318	1/2-13	3/4-10
42371	6	42318	1/2-13	3/4-10
	7	42320	5/8-11	7/8-9
	7	42322	3/4-10	1/8
	2	42323	1-8	1 3/8-12
42372	10	42324	10-32	3/8-16
	10	42325	1/4-28	7/16-14
	10	42326	5/16-24	1/2-13
	10	42327	3/8-24	9/16-12
	6	42329	1/2-20	3/4-10
Metric Internal/U.S. External – Steel				
42373	10	42332	M6 x 1.0	3/8-16
	10	42333	M8 x 1.25	1/2-13
	10	42334	M10 x 1.5	9/16-12
	6	42335	M12 x 1.75	3/4-10

Part No.	Quantity of Inserts	Insert Part No.	Internal Thread	External Thread
Metric Internal/Metric External – Steel				
42374	10	42338	M3 x 0.5	M6 x 1.0
	10	42339	M4 x 0.7	M8 x 1.25
	10	42340	M5 x 0.8	M8 x 1.25
	10	42341	M6 x 1.0	M10 x 1.5
	10	42342	M8 x 1.25	M12 x 1.75
42375	10	42342	M8 x 1.25	M12 x 1.75
	10	42343	M10 x 1.5	M16 x 2.0
	8	42344	M12 x 1.75	M16 x 2.0
	5	42345	M16 x 2.0	M24 x 3.0
303 Stainless Steel, Passivated				
42376	10	42346	10-24	3/8-16
	10	42347	1/4-20	7/16-14
	10	42348	5/16-18	1/2-13
	10	42349	3/8-16	9/16-12
	6	42351	1/2-13	3/4-10
42377	10	42352	10-32	3/8-16
	10	42353	1/4-28	7/16-14
	10	42354	5/16-24	1/2-13
	10	42355	3/8-24	9/16-12
	6	42357	1/2-20	3/4-10

Installation Instructions:



1. Drill hole according to table. TE-CO insert can be used in extra deep or through hole.



2. Use standard size tap according to table.



3. Use bolt as illustrated to install TE-CO Insert. Nut prevents hang-up of TE-CO Insert on grip of bolt. Use two nuts locked against each other to shorten bolt to proper thread length.



TOOLING COMPONENTS

TE-CO Threaded Inserts



- Automatic self-locking external thread with use-activated adhesive
- Will not back out or vibrate loose
- Immediately on installation, micro-encapsulated epoxy molecules begin to set, and the newly installed insert can be fastened to within minutes. Adhesive continues to cure overnight until completely set
- Adhesive seals against liquids and gases to pressures of 6,000 psi and bonds to virtually all metals

Part No.	Internal Thread	Tap Drill Size	Tap Size External Thread	Length
Coarse Thread/Fine Thread - Steel				
42310	4-40	5/32	10/32	.250
42311	6-32	#7	1/4-20	.280
42312	8-32	F	5/16-18	.290
42313	10-24	5/16	3/8-16	.406
42314	1/4-20	23/64	7/16-14	.437
42315	5/16-18	27/64	1/2-13	.484
42316	3/8-16	31/64	9/16-12	.515
42317	7/16-14	17/32	5/8-11	.656
42318	1/2-13	21/32	3/4-10	.656
42319	9/16-12	21/32	3/4-10	.656
42320	5/8-11	49/64	7/8-9	.687
42321	5/8-11	49/64	7/8-9	1.125
42322	3/4-10	7/8	1-8	.781
42323	1-8	1-9/32	1-3/8-12	1.250
42324	10/32	5/16	3/8-16	.406
42325	1/4-28	23/64	7/16-14	.437
42326	5/16-24	27/64	1/2-13	.484
42327	3/8-24	31/64	9/16-12	.515
42328	7/16-20	17/32	5/8-11	.656
42329	1/2-20	21/32	3/4-10	.656
42330	5/8-18	49/64	7/8-9	.687
42331	3/4-16	7/8	1-8	.781
Extra Heavy Wall - Steel				
42358	1/4-20	27/64	1/2-13	.484
42359	5/16-18	31/64	9/16-12	.515
42360	3/8-16	17/32	5/8-11	.656
42361	1/2-13	49/64	7/8-9	.687
42362	5/8-11	7/8	1-8	.781
Metric Internal/U.S. External - Steel				
42332	M6 x 1.0	5/16	3/8-16	.406
42333	M8 x 1.25	27/64	1/2-13	.484
42334	M10 x 1.50	31/64	9/16-12	.515
42335	M12 x 1.75	21/32	3/4-10	.656
42336	M14 x 2.0	49/64	7/8-9	.656
42337	M16 x 2.0	7/8	1-8	.781
Metric Internal/Metric External - Steel				
42338	M3 x 0.5	5.1mm	M6 x 1.0	6.5mm
42339	M4 x 0.7	6.9mm	M8 x 1.25	7.5mm
42340	M5 x 0.8	6.9mm	M8 x 1.25	7.5mm
42341	M6 x 1.0	8.6mm	M10 x 1.5	10.5mm
42342	M8 x 1.25	10.4mm	M12 x 1.75	12.5mm
42343	M10 x 1.5	14.0mm	M16 x 2.0	17.0mm
42344	M12 x 1.75	14.0mm	M16 x 2.0	17.0mm
42345	M16 x 2.0	21.0mm	M24 x 3.0	20.0mm
303 Stainless Steel, Passivated				
42346	10-24	5/16	3/8-16	.406
42347	1/4-20	23/64	7/16-14	.437
42348	5/16-18	27/64	1/2-13	.484
42349	3/8-16	31/64	9/16-12	.515
42350	7/16-14	17/32	5/8-11	.656
42351	1/2-13	21/32	3/4-10	.656
42352	10-32	5/16	3/8-16	.406
42353	1/4-28	23/64	7/16-14	.437
42354	5/16-24	27/64	1/2-13	.484
42355	3/8-24	31/64	9/16-12	.515
42356	7/16-20	17/32	5/8-11	.656
42357	1/2-20	21/32	3/4-10	.656

Keylocking Inserts: Installation & Removal Information



1. Drill out old threads with a standard drill. Countersink with a standard (82-100 degree) countersink. Note: Drill is oversized, see charts for proper dimensions.



2. Tap new threads with a standard tap. See charts for proper size and depth.



If necessary, Thread Repair Inserts can be removed without damage to the parent material.



3. Screw in the insert until slightly below surface

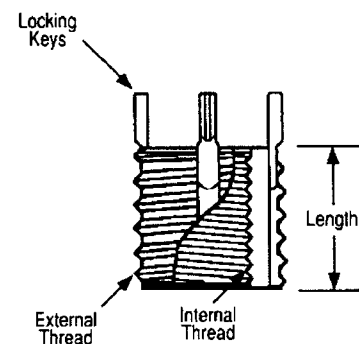


4. Drive keys down with several hammer taps on the proper installation tool.

1. Drill out material between keys and internal thread with standard drill to specified depth from chart.
2. Bend the keys inward and break off.
3. Remove the old insert using an E-Z out or similar tool.
4. Install replacement insert into the original tapped hole.

Technical Notes

- Material: Carbon Steel Inserts: C1215 or equivalent
 Stainless Steel Inserts: 303
 Keys: 302
- Finish: Carbon Steel Inserts: Parkerized
 Stainless Steel Inserts: Passivated
- Tolerances: $\pm .010$ inch or $\pm .25$ mm unless specified otherwise
- Keys: Inserts with an internal thread size of 5/16 or M7 and larger are furnished with (4) locking keys



Dimensions are expressed in inches, except metric inserts are in millimeters



TOOLING COMPONENTS

Keylocking Inserts

Thinwall

Part Number		Insert			Installation			Thread Tap		Removal	
Carbon Steel	Stainless Steel	Internal Thread Class 2B	External Thread (Mod) Class 2A	Length	Installation Tool Part No.	Tap Drill Size	C'Sink Dia*	Size Class 2B	Min. Depth	Drill Size	Drill Depth
42431	42453	10-24	5/16-18	0.31	42482	I	0.32	5/16-18	0.37	7/32	1/8
42432	42454	10-32	5/16-18	0.31	42482	I	0.32	5/16-18	0.37	7/32	1/8
42433	42455	1/4-20	3/8-16	0.37	42483	Q	0.38	3/8-16	0.43	9/32	3/16
42434	---	1/4-28	3/8-16	0.37	42483	Q	0.38	3/8-16	0.43	9/32	3/16
42435	42456	5/16-18	7/16-14	0.43	42484	X	0.44	7/16-14	0.50	11/32	3/16
42436	---	5/16-24	7/16-14	0.43	42484	X	0.44	7/16-14	0.50	11/32	3/16
42437	42457	3/8-16	1/2-13	0.50	42485	29/64	0.51	1/2-13	0.56	13/32	3/16
42438	42458	3/8-24	1/2-13	0.50	42485	29/64	0.51	1/2-13	0.56	13/32	3/16
42439	---	7/16-14	9/16-12	0.56	42486	33/64	0.57	9/16-12	0.62	15/32	3/16
42440	42459	1/2-13	5/8-11	0.62	42487	37/64	0.63	5/8-11	0.68	17/32	3/16
42441	---	1/2-20	5/8-11	0.62	42487	37/64	0.63	5/8-11	0.68	17/32	3/16

*Tolerance: +.010, -.000

Heavy Duty

Part Number		Insert			Installation			Thread Tap		Removal	
Carbon Steel	Stainless Steel	Internal Thread Class 2B	External Thread (Mod) Class 2A	Length	Installation Tool Part No.	Tap Drill Size	C'Sink Dia*	Size Class 2B	Min. Depth	Drill Size	Drill Depth
42410	42445	8-32	5/16-18	0.31	42470	I	0.32	5/16-18	0.37	7/32	1/8
42411	42446	10-24	3/8-16	0.31	42471	Q	0.38	3/8-16	0.37	9/32	1/8
42412	42447	10-32	3/8-16	0.31	42471	Q	0.38	3/8-16	0.37	9/32	1/8
42413	42448	1/4-20	7/16-14	0.37	42472	X	0.44	7/16-14	0.43	11/32	3/16
42414	---	1/4-28	7/16-14	0.37	42472	X	0.44	7/16-14	0.43	11/32	3/16
42415	42449	5/16-18	1/2-13	0.43	42473	29/64	0.51	1/2-13	0.50	13/32	3/16
42416	---	5/16-24	1/2-13	0.43	42473	29/64	0.51	1/2-13	0.50	13/32	3/16
42417	42450	3/8-16	9/16-12	0.50	42474	33/64	0.57	9/16-12	0.56	15/32	3/16
42418	42451	3/8-24	9/16-12	0.50	42474	33/64	0.57	9/16-12	0.56	15/32	3/16
42419	---	7/16-14	5/8-11	0.62	42475	37/64	0.63	5/8-11	0.68	17/32	3/16
42420	---	7/16-20	5/8-11	0.62	42475	37/64	0.63	5/8-11	0.68	17/32	3/16
42421	42452	1/2-13	3/4-16	0.62	42476	45/64	0.76	3/4-16	0.68	21/32	3/16
42422	---	1/2-20	3/4-16	0.62	42476	45/64	0.76	3/4-16	0.68	21/32	3/16
42423	---	5/8-11	7/8-14	0.87	42478	53/64	0.88	7/8-14	1.00	25/32	5/16
42424	---	5/8-18	7/8-14	0.87	42478	53/64	0.88	7/8-14	1.00	25/32	5/16
42425	---	3/4-10	1-1/8-12	1.12	42479	1-1/16	1.14	1-1/8-12	1.31	31/32	5/16
42426	---	3/4-16	1-1/8-12	1.12	42479	1-1/16	1.14	1-1/8-12	1.31	31/32	5/16
42427	---	7/8-9	1-1/4-12	1.25	42480	1-3/16	1.27	1-1/4-12	1.44	1-3/32	5/16
42428	---	1-8	1-3/8-12	1.37	42481	1-5/16	1.39	1-3/8-12	1.56	1-7/32	5/16

*Tolerance: +.010, -.000

Thinwall: Metric

Part No.		Insert			Installation			Thread Tap		Removal	
Carbon Steel	Internal Thread Class 2B	External Thread (Mod) Class 6G	Length	Installation Tool Part No.	Tap Drill Size	C'Sink Dia*	Size Class 2B	Min. Depth	Drill Size	Drill Depth	
62411	M5 x 0.8	M8 x 1.25	8.00	42488	6.9	8.25	M8 x 1.25	9.5	5.50	4.00	
62412	M6 x 1.0	M10 x 1.25	10.00	42489	8.8	10.25	M10 x 1.25	11.5	7.50	4.75	
62413	M8 x 1.25	M12 x 1.25	12.00	42490	10.8	12.25	M12 x 1.25	13.5	9.50	4.75	
62414	M8 x 1.0	M12 x 1.25	12.00	42490	10.8	12.25	M12 x 1.25	13.5	9.50	4.75	
62415	M10 x 1.5	M14 x 1.5	14.00	42491	12.8	14.25	M14 x 1.5	15.5	11.50	4.75	
62416	M10 x 1.25	M14 x 1.5	14.00	42491	12.8	14.25	M14 x 1.5	15.5	11.50	4.75	
62417	M12 x 1.75	M16 x 1.5	16.00	42492	14.75	16.25	M16 x 1.5	17.5	13.50	4.75	
62418	M12 x 1.25	M16 x 1.5	16.00	42492	14.75	16.25	M16 x 1.5	17.5	13.50	4.75	

*Tolerance: +.010, -.000

Inserts: Knife Thread Inserts for Wood

External knife threads provide superior holding power in hard and soft woods, particle board and all wood products.

Use wherever field assembly or disassembly could lead to thread erosion or stripping. The long pilot ensures straight driving into a drilled hole. Install with screw driver, bolt and nut, tapping head or driving tool.

- Material: Brass



Insert Part No.	Drive Tool Part No.	Internal Thread	Length Overall	Major Diameter External Thread	Hole Size
42378	N/A	4-40	.375	.350	1/4
42379	42309	6-32	.375	.350	1/4
42380	42386	8-32	.375	.350	1/4
42381	42387	10-24	.500	.453	3/8
42382	42387	10-32	.500	.453	3/8
42383	42388	1/4-20	.500	.453	3/8
42302	42388	1/4-28	.500	.453	3/8
42384	42389	5/16-18	.625	.600	1/2
42303	42389	5/16-24	.625	.600	1/2
42385	42399	3/8-16	.625	.600	1/2
42304	42399	3/8-24	.625	.600	1/2

Inserts: Hexdrive Knife Thread Inserts for Wood

An inexpensive insert for use in ready-to-assemble furniture, drawer pulls and wherever ease of assembly or avoidance of thread stripping is desired. Install with hex drive wrench or drive tool.

- Material: Die cast zinc alloy



Insert Part No.	Drive Tool Part No.	Description	Length	Hole Size	Hex Dimension
42363	42368	8-32 Flanged	11mm	6mm	4mm
42306	42368	10-24 Flanged	11mm	4mm	4mm
42364	42369	1/4-20 Flanged	13mm	9mm	6mm
42365	42369	1/4-20 Flanged	20mm	9mm	6mm
42307	42300	5/16-18 Flanged	13mm	8mm	8mm
42308	42301	3/8-16 Flanged	25mm	10mm	10mm
42366	42369	1/4-20 Flush	13mm	9mm	6mm
42367	42369	1/4-20 Flush	20mm	9mm	6mm
42305	42300	5/16-18 Flush	20mm	8mm	8mm

Note: 11mm approximately 7/16"; 13mm approximately 1/2"; 20mm approximately 3/4"

5C Collet Stop Assembly

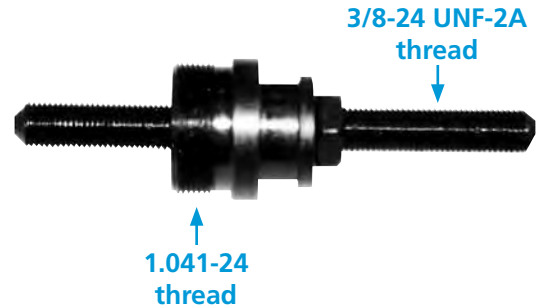
Part Number 35001



- Assembly includes:
 - Adjustable Collet Stop: Part Number 35002
 - Extension Tube: Part Number 35004
 - Stop Wrench: Part Number 35009
- For use with 5C collets

5C Adjustable Collet Stop

Part Number 35002



- Fully threaded adjustment screw
- Fits collet with internal threads
- Overall length = 4.12
- Black Oxide Finish

5C Collet Stop Extension Tube

Part Number 35004



- Adds 3" length to the collet stop
- Conveniently locates long parts
- Two or more tubes can be coupled for desired length
- Internal thread & external thread = 1.041-24

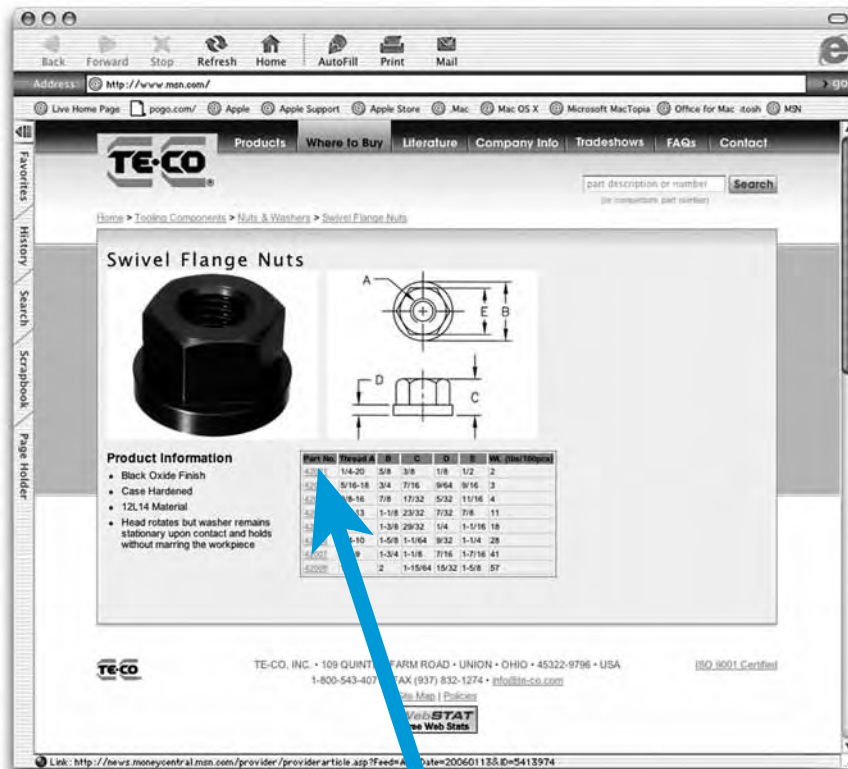
5C Collet Stop Wrench

Part Number 35009



- Easily tightens or removes collet stops
- Saves time and prevents damage to precision collets
- Wrench mates perfectly with collet

View our website at
www.te-co.com



Click part number for list price
 and available CAD models

